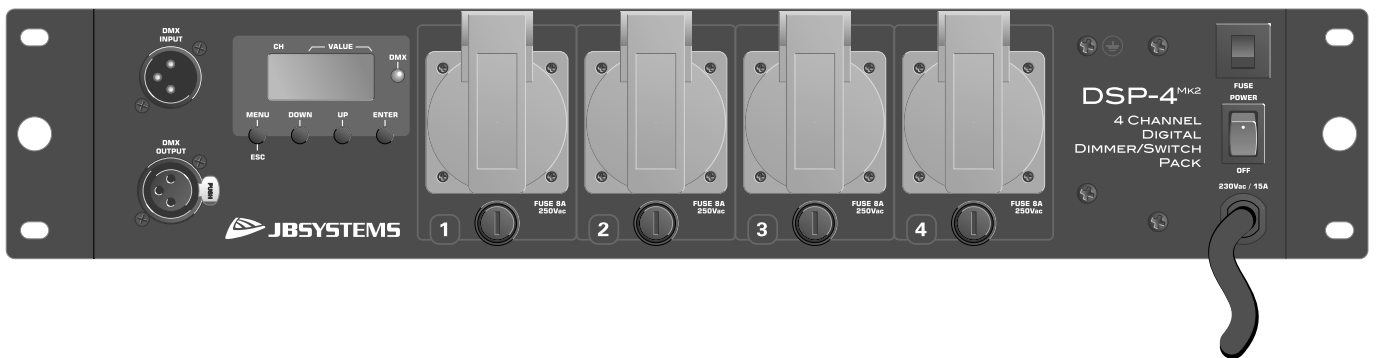


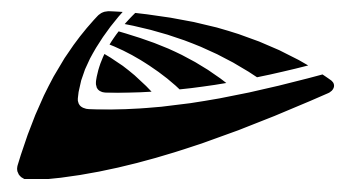
# DSP-4 MK2



Operation Manual EN  
Mode d'emploi FR  
Gebruiksaanwijzing NL  
Bedienungsanleitung DE  
Manual de instrucciones ES



Version: 1.0



**JBSYSTEMS**



### **EN - DISPOSAL OF THE DEVICE**

Dispose of the unit and used batteries in an environment friendly manner according to your country regulations.

### **FR - DÉCLASSER L'APPAREIL**

Débarrassez-vous de l'appareil et des piles usagées de manière écologique Conformément aux dispositions légales de votre pays.

### **NL - VERWIJDEREN VAN HET APPARAAT**

Verwijder het toestel en de gebruikte batterijen op een milieuvriendelijke manier conform de in uw land geldende voorschriften.

### **DU - ENTSORGUNG DES GERÄTS**

Entsorgen Sie das Gerät und die Batterien auf umweltfreundliche Art und Weise gemäß den Vorschriften Ihres Landes.

### **ES - DESHACERSE DEL APARATO**

Reciclar el aparato y pilas usadas de forma ecologica conforme a las disposiciones legales de su país.

### **PT - COMO DESFAZER-SE DA UNIDADE**

Tente reciclar a unidade e as pilhas usadas respeitando o ambiente e em conformidade com as normas vigentes no seu país.

# OPERATION MANUAL

Thank you for buying this JB Systems® product. To take full advantage of all possibilities, please read these operating instructions very carefully.

## FEATURES

This unit is radio-interference suppressed. This product meets the requirements of the current European and national guidelines. Conformity has been established and the relevant statements and documents have been deposited by the manufacturer.

- Multi functional dimmer/switch pack equipped with 4 mains sockets (Schuko)
- Prepared for use with “low power” LED loads: works with loads down to only 10watt per channel.
- Maximum output: 4x 1850W (Max<sub>tot</sub> = 3450W/15A)
- Thanks to the well designed 19” brackets the DSP-4 MK2 can be mounted in different ways:
  - Standard 19” rack mounting
  - Wall mount in fixed installations
  - Mounting under or inside ALU truss using clamps
- Locking DMX in/outputs with POWER/DMX-present indicator
- 5 Digit LED display with 4 buttons for easy menu navigation:
  - DMX address setting: each channel can have its own address
  - Each channel can be switched separately in dimmer or switch mode
  - Separate dimmer presets with memory function for each channel (no controller needed)
- Mains power input with automatic 15A fuse
- Individual channel 8A fuses
- All channels equipped with 40A triacs for increased reliability

## BEFORE USE

### Check the contents:

Check that the carton contains the following items:

- DSP-4 MK2 dimmer pack.
- User manual

### Some important instructions:

- Before you start using this unit, please check if there’s no transportation damage. Should there be any, do not use the device and consult your dealer first.
- **Important:** This device left our factory in perfect condition and well packaged. It is absolutely necessary for the user to strictly follow the safety instructions and warnings in this user manual. Any damage caused by mishandling is not subject to warranty. The dealer will not accept responsibility for any resulting defects or problems caused by disregarding this user manual.
- Keep this booklet in a safe place for future consultation. If you sell the fixture, be sure to add this user manual.
- To protect the environment, please try to recycle the packing material as much as possible.

## SAFETY INSTRUCTIONS:



**CAUTION:** To reduce the risk of electric shock, do not remove the top cover. No user-serviceable parts inside. Refer servicing to qualified service personnel only.



The lightning flash with arrowhead symbol within the equilateral triangle is intended to alert the user or the presence of un-insulated “dangerous voltage” within the product’s enclosure that may be of sufficient magnitude to constitute a risk of electric shock.



The exclamation point within the equilateral triangle is intended to alert the user to the presence of important operation and maintenance (servicing) instructions in the literature accompanying this appliance.



This symbol means: indoor use only



This symbol means: Read instructions



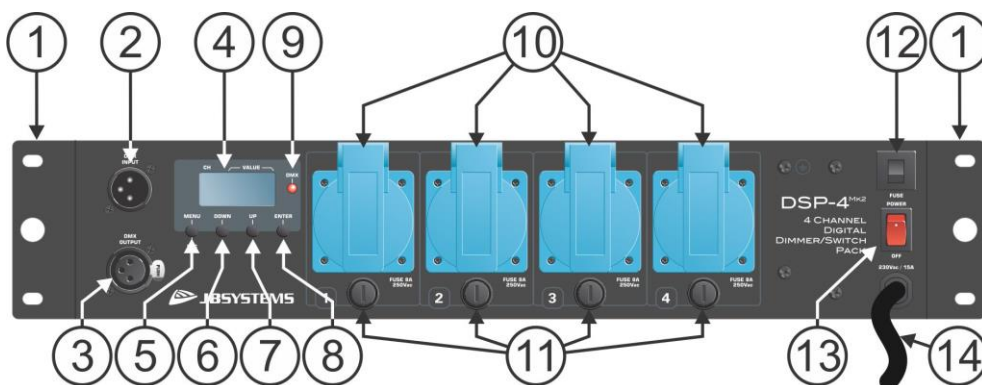
This symbol means: Lamp Control Gear

- To prevent fire or shock hazard, do not expose this appliance to rain or moisture.
- To avoid condensation to be formed inside, allow the unit to adapt to the surrounding temperatures when bringing it into a warm room after transport. Condense sometimes prevents the unit from working at full performance or may even cause damages.
- This unit is for indoor use only.
- Don't place metal objects or spill liquid inside the unit. No objects filled with liquids, such as vases, shall be placed on this appliance. Electric shock or malfunction may result. If a foreign object enters the unit, immediately disconnect the mains power.
- No naked flame sources, such as lighted candles, should be placed on the appliance.
- Don't cover any ventilation openings as this may result in overheating.
- Prevent use in dusty environments and clean the unit regularly.
- Keep the unit away from children.
- Inexperienced persons should not operate this device.
- Maximum save ambient temperature is 40°C. Don't use this unit at higher ambient temperatures.
- Always unplug the unit when it is not used for a longer time or before you start servicing.
- The electrical installation should be carried out by qualified personal only, according to the regulations for electrical and mechanical safety in your country.
- Check that the available voltage is not higher than the one stated on the rear panel of the unit.
- The socket inlet shall remain operable for disconnection from the mains.
- The power cord should always be in perfect condition: switch the unit immediately off when the power cord is squashed or damaged. It must be replaced by the manufacturer, its service agent or similarly qualified persons in order to avoid a hazard
- Never let the power-cord come into contact with other cables!
- This appliance must be earthed to in order comply with safety regulations.
- In order to prevent electric shock, do not open the cover. There are no user serviceable parts inside.
- **Never** repair a fuse or bypass the fuse holder. **Always** replace a damaged fuse with a fuse of the same type and electrical specifications!
- In the event of serious operating problems, stop using the appliance and contact your dealer immediately.
- Please use the original packing when the device is to be transported.
- Due to safety reasons it is prohibited to make unauthorized modifications to the unit.

## MAINTENANCE

Clean by wiping with a polished cloth slightly dipped with water. Avoid getting water inside the unit. Do not use volatile liquids such as benzene or thinner which will damage the unit.

## FUNCTIONS

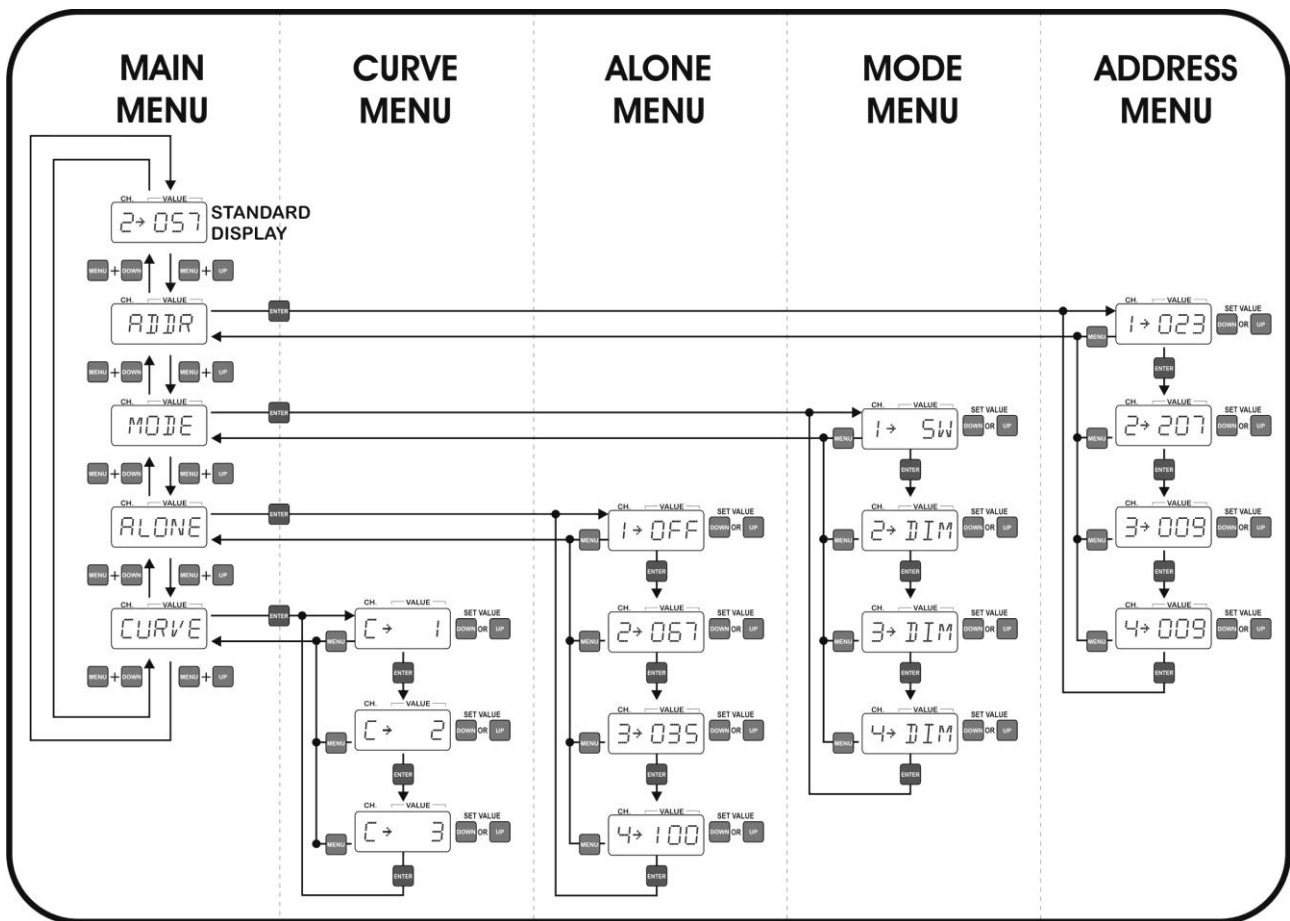


1. **MULTIFUNCTIONAL 19" ADAPTERS:** can be used to fix the DSP-4 MK2 in several different ways. Please refer to the chapter "installation and overhead rigging" for more information.
2. **DMX Input:** receives incoming DMX signal
3. **DMX Output:** links the incoming DMX signal to another DMX fixture.

4. **DISPLAY:** Shows the software version shortly after switching on the unit. Further shows the information related to the selected function or working mode. The left digit shows the channel number, the 3 other digits show the channel status:
  - In the **ADDRESS** menu: channel + DMX address is shown, ranging from 001 to 512
  - In the **MODE** menu: working mode is shown. (“**DIM**” = dimmer mode \* “**SW**” = switch mode)
  - In the **ALONE** menu and standard display: channel output status is shown.
    - Channel in dimmer mode: dimmer percentage, ranging from 0% to 100%
    - Channel in switch mode: “**ON**” = output 100% \* “**OFF**” = output 0%
  - Curve : shows the dimming curve that is used
5. **MENU BUTTON:** Please refer to the menu structure to understand the different menus. These are the different possibilities:
  - Browse the main menu: Press the MENU button together with the UP/DOWN buttons.
  - Return to the main menu: Press the MENU button to return to the main menu. (escape function)
6. **DOWN BUTTON:** Please refer to the menu structure to understand the different menus. These are the different possibilities:
  - Browse the main menu: Press the MENU button together with the UP/DOWN buttons.
  - In the **ADDRESS** menu: Press the DOWN button to lower the DMX address of the selected channel. (press the button for a longer time to increase the speed)
  - In the **MODE** menu: Press the DOWN button to put the selected channel in switch or dimmer mode.
  - In the **ALONE** menu: Press the DOWN button to lower the dimmer value (0~100%) when the selected channel is in dimmer mode. (press the button for a longer time to increase the speed). When the selected channel is set to switch mode, you can turn the output on or off.
7. **UP BUTTON:** Please refer to the menu structure to understand the different menus. These are the different possibilities:
  - Browse the main menu: Press the MENU button together with the UP/DOWN buttons.
  - In the **ADDRESS** menu: Press the UP button to increase the DMX address of the selected channel. (press the button for a longer time to increase the speed)
  - In the **MODE** menu: Press the UP button to put the selected channel in dimmer or switch mode.
  - In the **ALONE** menu: Press the UP button to increase the dimmer value (0~100%) when the selected channel is in dimmer mode. (press the button for a longer time to increase the speed). When the selected channel is set to switch mode, you can turn the output on or off.
8. **ENTER BUTTON:** Please refer to the menu structure to understand the different menus. These are the different possibilities:
  - In the main menu: Press the ENTER button to select the desired sub menu.
  - In a sub menu: Press the ENTER button to browse through the 4 channels.
9. **DMX PRESENT LED:** this LED indicates if the unit receives a DMX-signal on the DMX-input(n°2):
  - **LED is on:** no DMX-signal detected on the input.
  - **LED is blinking:** DMX-signal detected on the input
10. **CHANNEL OUTPUTS:** Each channel output has its own output socket to connect any resistive and/or inductive projector(s) or small light effects.
11. **CHANNEL FUSES:** Protects the individual channels. Replace a broken fuse always with a fuse with the same rate.
12. **INPUT FUSE:** This is an automatic circuit breaker. When the fuse is blown, first locate and solve the problem that caused the fuse to blow. When the problem is solved, simply push the button to reset the circuit breaker.
13. **POWER SWITCH:** turns the unit ON / OFF.
14. **POWER CORD:** supplies main power to the fixture.
15. **LOAD SWITCH:** with these switches you can select for each of the 4 channels if that channel will control very small loads (like LED-lamps or LED effects) or normal loads:
  - **LED-position:** use this position to control small loads, between 10W and 500W.
  - **RESISTIVE / INDUCTIVE LOAD-position:** use this position to control bigger loads, at least 100W.



# MENU STRUCTURE...



### MAIN MENU:

This menu is used to select one of the 4 sub menus.

- Press the MENU button together with the UP/DOWN buttons to browse the menu.
- Press the ENTER button to select the desired submenu.

### ADDRESS SUBMENU:

This menu is used to set the DMX address of the 4 output channels. Each channel can be set to a unique DMX-address. You can even give 2 or more channels the same DMX address.

- Press the ENTER button to browse through the submenu.
- Once you selected the desired channel, press the UP/DOWN buttons to set the address
- Press the MENU button to return to the main menu.

### MODE SUBMENU:

This menu is used to set the working mode of the 4 output channels.

- **DIM mode:** use this mode when you connect lamps (projectors) to this output channel. You will be able to dim the output smoothly between 0% and 100%.
- **SWITCH mode:** use this mode when you connect small light effects to this output channel. You can toggle the output between ON (100% output) and OFF (0% output). Now you can switch small light effects on/off with your DMX-controller.
  - Press the ENTER button to browse through the menu.
  - Once you selected the desired channel, press the UP/DOWN buttons to set the working mode.
  - Press the MENU button to return to the main menu.

### ALONE SUBMENU:

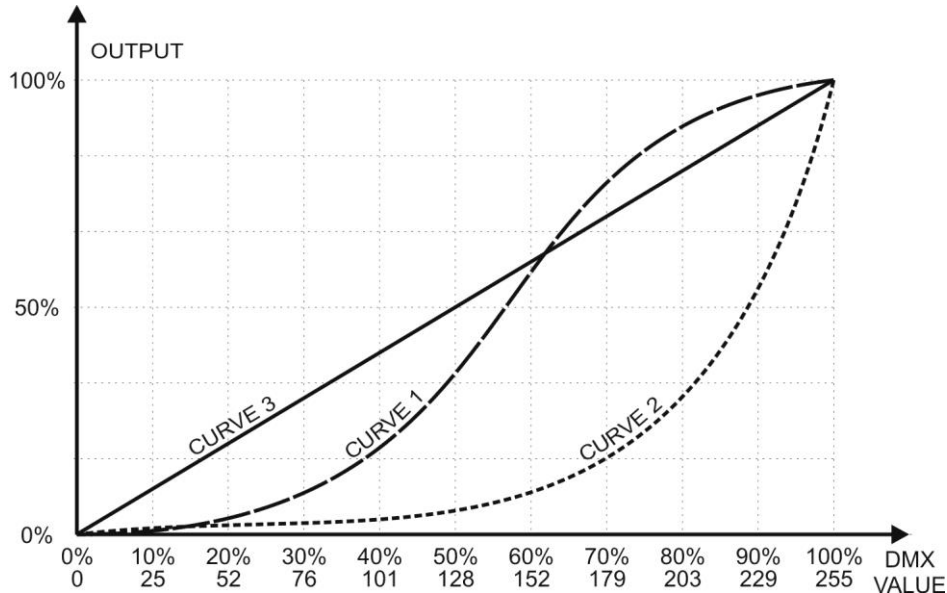
This is the standalone mode; all output levels can be set directly on the control panel so you don't need a controller. It's important to know that the output settings are preserved when the unit is disconnected from the mains. This makes the DB-46 very useful to illuminate exhibition booths etc.

- Press the ENTER button to browse through the menu.

- Once you selected the desired channel, press the UP/DOWN buttons to set the output level.
- Press the MENU button to return to the main menu.

**CURVE SUBMENU:**

This menu is used to choose one of the 3 preprogrammed dimming curves. Please check the diagram with the dimming curves to see which curve suits most for your needs. Of course you can also simply try the dimmer curves... 😊.



**INSTALLATION AND OVERHEAD RIGGING**

**Important:** The installation must be carried out by qualified service personal only. Improper installation can result in serious injuries and/or damage to property.

Thanks to the multifunctional 19" adapters, the DSP-4 MK2 can be installed in 3 different ways:

**19" RACK MOUNTING:**

The most common way: you can install the unit easily in a standard 19" rack using 4 rack bolts.

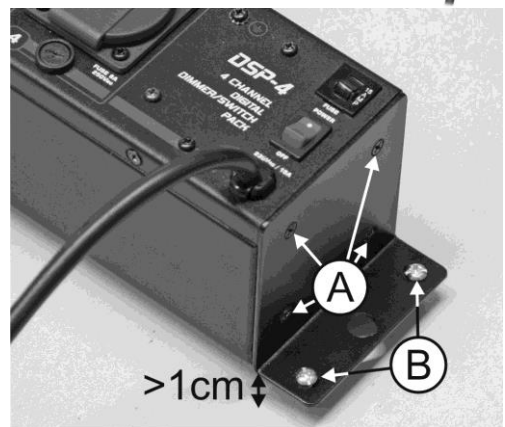


**WALL MOUNTING:**

You can mount the DSP-4 MK2 easily against a wall as explained below:

- Remove the 4 screws (marked "A" on the picture) on both 19" adapters
- Turn the adapters over 180° as shown on the picture.
- Fasten the 4 screws again
- Fix the unit against the wall using suitable screws (marked "B" on the picture).

**IMPORTANT:** since the ventilation holes are now located on the side facing the wall, you **MUST** use spacers to ensure at least 1cm between the unit and the wall surface!



**OVERHEAD RIGGING AND TRUSS MOUNTING:**

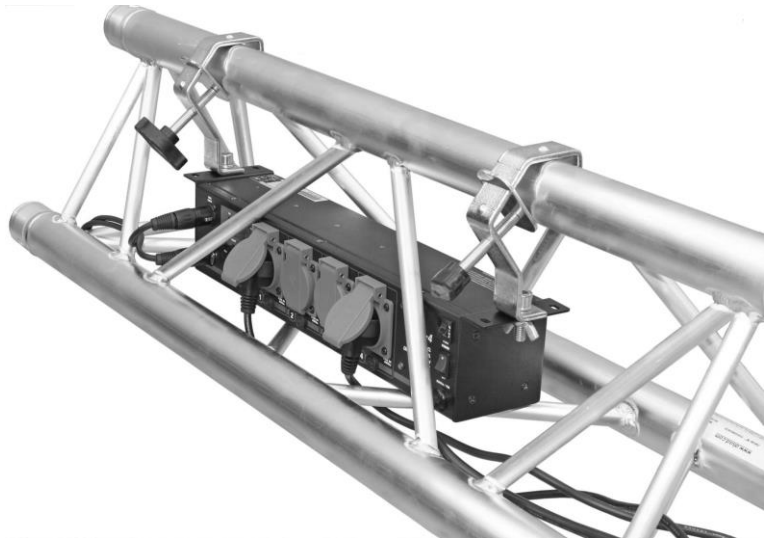
- **Important:** Overhead rigging requires extensive experience! Working load limits should be respected, certified installation materials should be used, the installed device should be inspected regularly for safety.
- Make sure the area below the installation place is free from unwanted persons during rigging, de-rigging and servicing.
- Locate the device in a well ventilated spot, far away from any flammable materials and/or liquids. The fixture must be fixed at least 1cm from surrounding walls.
- The device should be installed out of reach of people and outside areas where persons may walk by or be seated.

- Before rigging make sure that the installation area can hold a minimum point load of 10times the device's weight.
- Always use a certified safety cable that can hold 12times the weight of the device when installing the unit. This secondary safety attachment should be installed in a way that no part of the installation can drop more than 20cm if the main attachment fails.
- The device should be well fixed; a free-swinging mounting is dangerous and may not be considered!
- The operator has to make sure that the safety-relating and machine-technical installations are approved by an expert before using them for the first time. The installations should be inspected every year by a skilled person to be sure that safety is still optimal.

**IN-TRUSS MOUNTING:** thanks to the size and shape of the DSP-4 MK2 you can install it inside ALU trusses (see picture) and leave it there! To do this, follow the steps below:

- Remove the 4 screws on both 19" adapters
- Turn the adapters over 90° as shown on the picture.
- Fasten the 4 screws again
- Put the DSP-4 MK2 inside the truss and use 2 hooks (for example our CR50/LI) to fix it.

During transport the ALU truss will protect the DSP-4 MK2 and you will gain a lot of space and setup time! ☺



**CONNECTIONS ( MAINS INPUTS/OUTPUTS)**



The unit is supplied with a power plug appropriate to its voltage and destination. Should any other connections be required they must be carried out with the following configuration.

- Earth = Green/Yellow cable
- Neutral = Blue cable
- Live = Brown cable

**SPECIFICATIONS**

<b>Power Input:</b>	AC 230V 50Hz.
<b>Max Total Load:</b>	15 A ( 3450 W )
<b>Load Per Channel, normal-position:</b>	from 100W to max. 1800 W / res. (8A)
<b>Load Per Channel, LED-position:</b>	from 10W to max 500W (2A)
<b>Main Fuse:</b>	Automatic thermal 15A/250V
<b>Channel Fuses:</b>	8A/250V Slow
<b>DMX inputs/outputs:</b>	3pin XLR
<b>Size:</b>	480 x 100 x 88 mm
<b>Weight:</b>	2,9 kg

**All this information is subject to change without prior notice**

You can download the latest version of this user manual on our website: [WWW.JB-SYSTEMS.EU](http://WWW.JB-SYSTEMS.EU)



# MODE D'EMPLOI

Nous vous remercions d'avoir acheté ce produit JB Systems®. Veuillez lire ce mode d'emploi très attentivement afin de pouvoir exploiter toutes les possibilités de cet appareil.

## CARACTERISTIQUES

Cet appareil ne produit pas d'interférences radio. Il répond aux exigences nationales et européennes. La conformité a été établie et les déclarations et documents correspondants ont été déposés par le fabricant.

- Dimmer/switch pack multifonctionnel équipé de 4 prises (Schuko)
- Préparé pour une utilisation avec des charges LED de faible puissance: fonctionne avec des charges minimales de seulement 10 watts par canal.
- Puissance de sortie maximale: 4x 1850W (Maxtot = 3450W/15A)
- Grâce au design des supports 19", le DSP-4 MK2 peut être monté de différentes façons:
  - Montage dans un rack standard 19"
  - Fixation au mur pour des installations permanentes
  - Montage dans ou sous un pont ALU à l'aide de crochets
- Entrées/sorties DMX verrouillables avec indicateur de présence POWER/DMX
- Ecran LED à 5 caractères + 4 touches pour une navigation aisée dans le menu:
  - Adressage DMX: chaque canal peut recevoir sa propre adresse DMX
  - Attribution de la fonction gradateur ou interrupteur pour chaque canal individuellement
  - Préréglages séparés pour chaque canal avec fonction mémoire (pas besoin de contrôleur)
- Alimentation d'entrée avec fusible automatique de 15A intégré
- Fusibles de 8A individuels pour chaque canal
- Tous les canaux sont équipés de triacs de 40A pour une meilleure fiabilité

## AVANT L'UTILISATION

### Vérifiez le contenu:

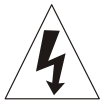
Vérifiez si l'emballage contient bien les articles suivants:

- Appareil DSP-4 Mk2
- Mode d'emploi

### Quelques instructions importantes:

- Avant d'utiliser cet appareil, assurez-vous de l'absence de dommages liés au transport. En cas de dommages, n'utilisez pas l'appareil et contactez le vendeur.
- **Important:** Cet appareil a quitté notre usine en parfaite condition et bien emballé. Il est primordial que l'utilisateur suive les instructions de sécurité et avertissements inclus dans ce manuel. La garantie ne s'applique pas en cas de dommage lié à une utilisation incorrecte. Le vendeur ne prend pas la responsabilité des défauts ou de tout problème résultant du fait de n'avoir pas tenu compte des mises en garde de ce manuel.
- Conservez ce manuel dans un endroit sûr pour toute consultation future. Si vous vendez l'appareil, assurez-vous d'y joindre ce manuel également.
- Afin de protéger l'environnement, merci de recycler les emballages autant que possible.

## INSTRUCTIONS DE SECURITE:



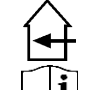
**ATTENTION:** afin de réduire le risque d'électrocution, n'enlevez jamais le couvercle de l'appareil. Il n'y a aucune pièce à l'intérieur de l'appareil que vous puissiez remplacer vous-même. Confiez l'entretien uniquement à des techniciens qualifiés.



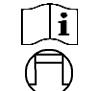
La flèche dans un triangle met l'utilisateur en garde contre la présence de haute tension sans isolation dans l'appareil, ce qui peut causer un risque d'électrocution.



Un point d'exclamation dans un triangle prévient de la présence d'instructions relatives au fonctionnement et à la maintenance se trouvant dans le manuel fourni avec l'appareil.



Ce symbole signifie: uniquement pour usage à l'intérieur.



Ce symbole signifie : Lire le mode d'emploi.



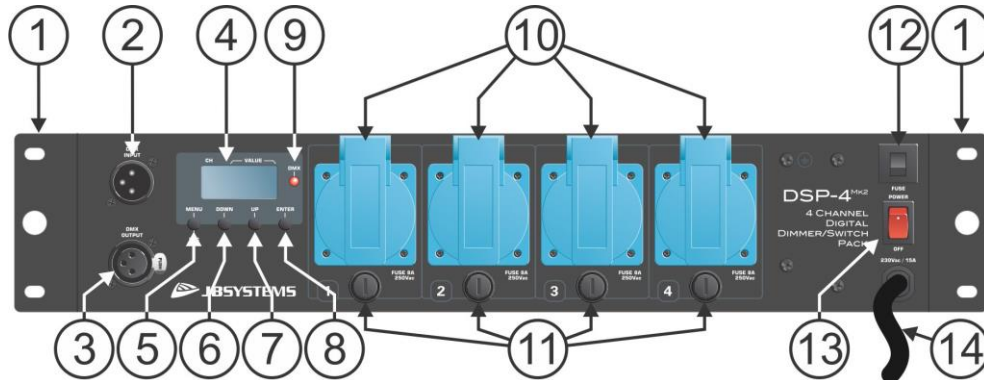
Ce symbole signifie : contrôleur de lampe

- Afin d'éviter tout risque d'incendie ou de décharge électrique, ne pas exposer cet appareil à la pluie ou l'humidité.
- Pour éviter la formation de condensation à l'intérieur de l'appareil, patientez quelques minutes pour laisser l'appareil s'adapter à la température ambiante lorsqu'il arrive dans une pièce chauffée après le transport. La condensation empêche l'appareil de fonctionner manière optimale, et elle peut même causer des dommages.
- Cet appareil est destiné à une utilisation à l'intérieur uniquement.
- Ne pas insérer d'objet métallique ou renverser de liquide dans l'appareil. Aucun objet contenant un liquide, tels que des vases, ne peut être placé sur cet appareil. Cela risquerait de provoquer une décharge électrique ou un dysfonctionnement. Si un corps étranger est introduit dans l'appareil, déconnectez immédiatement de la source d'alimentation.
- Aucune source de flamme nue, telle que des bougies allumées, ne peut être placée sur l'appareil.
- Ne pas couvrir les orifices de ventilation, un risque de surchauffe en résulterait.
- Ne pas utiliser l'appareil dans un environnement poussiéreux et le nettoyer régulièrement.
- Ne pas laisser l'appareil à portée des enfants.
- Les personnes non expérimentées ne doivent pas utiliser cet appareil.
- La température ambiante maximale d'utilisation de l'appareil est de 40°C. Ne pas l'utiliser au-delà de cette température.
- Débranchez toujours l'appareil si vous ne l'utilisez pas de manière prolongée ou avant d'entreprendre des réparations.
- Les installations électriques ne peuvent être faites que par du personnel qualifié et conformément aux règlements de sécurité électrique et mécanique en vigueur dans votre pays.
- Assurez-vous que la tension d'alimentation de la source d'alimentation de la zone dans laquelle vous vous trouvez ne dépasse pas celle indiquée à l'arrière de l'appareil.
- La prise sera toujours accessible pour que le cordon secteur puisse être enlevé à chaque moment.
- Le cordon d'alimentation doit toujours être en condition parfaite. Mettez immédiatement l'unité hors tension si le cordon est écrasé ou endommagé. Pour éviter tout risque de choc électrique, le cordon doit être remplacé par le constructeur, son agent ou un technicien qualifié.
- Ne laissez jamais le cordon d'alimentation entrer en contact avec d'autres câbles !
- L'appareil doit être à la masse selon les règles de sécurité.
- Utilisez toujours des câbles appropriés et certifiés lorsque vous installez l'appareil.
- Pour éviter toute décharge électrique, ne pas ouvrir l'appareil. Il n'y a pas de pièces pouvant être changées par l'utilisateur à l'intérieur.
- **Ne jamais** réparer ou court-circuiter un fusible. Remplacez **systématiquement** un fusible endommagé par un fusible de même type et ayant les mêmes spécifications électriques !
- En cas de problèmes de fonctionnement sérieux, arrêtez toute utilisation de l'appareil et contactez votre revendeur immédiatement.
- Utilisez l'emballage d'origine si l'appareil doit être transporté.
- Pour des raisons de sécurité, il est interdit d'apporter une quelconque modification à l'unité non spécifiquement autorisée par les parties responsables.

## ENTRETIEN

Nettoyez l'appareil à l'aide d'un chiffon doux, légèrement humide. Evitez d'introduire de l'eau à l'intérieur de l'appareil. N'utilisez pas de produits volatils tels que le benzène ou le 'thinner' qui peuvent endommager l'appareil.

## FONCTIONS

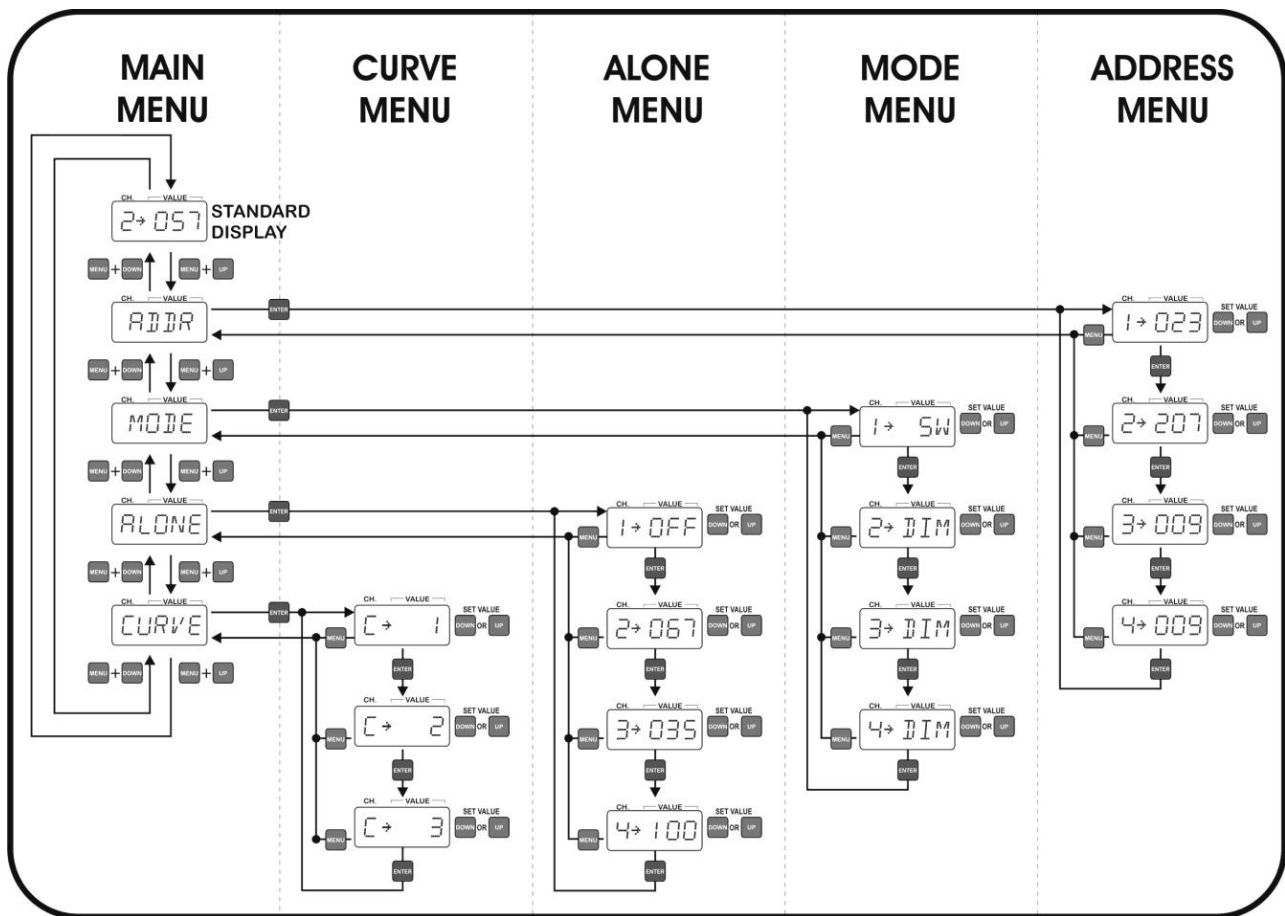


1. **ADAPTATEURS MULTIFONCTIONNELS POUR RACK DE 19"** Ils peuvent être utilisés afin de fixer le DSP-4 MK2 de plusieurs manières différentes. Veuillez s'il vous plaît vous reporter au chapitre "Installation" pour de plus amples informations.
2. **Entrée DMX** : reçoit le signal entrant DMX.
3. **Sortie DMX** : transmet le signal DMX entrant vers un autre appareil.
4. **ECRAN** : il affiche brièvement la version du logiciel après que l'on ait mis l'appareil sous tension, puis il affiche les informations relatives à la fonction sélectionnée ou au mode actif. Le caractère de gauche affiche le numéro de canal, les 3 autres affichent le statut du canal :
  - dans le menu ADDR  : l'adresse du canal est affichée, la plage de chiffres pouvant aller de 001 à 512 ;
  - dans le menu MODE  : le mode actif est affiché. ("DIM" = mode gradateur \* "SW" = mode switch) ;
  - dans le menu ALONE et dans l'écran standard  : le statut du canal de sortie est affiché :
    - si le canal est en mode gradateur  : affichage du pourcentage de puissance du gradateur allant de 0% à 100% ;
    - si le canal est en mode switch  : "oN" = sortie 100% \* "oFF" = sortie 0%.
  - dans le menu CURVE  : affiche le type de courbe de gradation que vous avez sélectionné
5. **BOUTON MENU** : s'il vous plaît, se référer à la structure du menu pour comprendre les différents menus. Voici les différentes possibilités :
  - si l'on parcourt le menu principal  : appuyez sur le bouton du MENU en même temps que sur les boutons UP/DOWN ;
  - pour retourner au menu principal  : appuyez sur le bouton du MENU pour retourner vers le menu principal (fonction escape) ;
6. **BOUTON DOWN** : s'il vous plaît, se référer à la structure du menu pour comprendre les différents menus. Voici les différentes possibilités :
  - si l'on parcourt le menu principal  : appuyez sur le bouton du MENU en même temps que sur les boutons UP/DOWN ;
  - dans le menu d'adressage  : appuyez sur le bouton DOWN pour donner au canal une adresse DMX qui correspond à un nombre plus petit (appuyez plus longtemps sur le bouton pour augmenter la vitesse de défilement) ;
  - dans le menu mode  : appuyez sur le bouton DOWN pour faire passer le canal sélectionné en mode switch ou dimmer ;
  - dans le menu ALONE  : appuyez sur le bouton DOWN pour diminuer la valeur du gradateur (0~100%) quand le canal sélectionné est en mode gradateur (appuyez plus longtemps sur le bouton pour augmenter la vitesse de défilement) ; quand le canal sélectionné est en mode switch, vous pouvez l'éteindre ou allumer.
7. **BOUTON UP** : s'il vous plaît, se référer à la structure du menu pour comprendre les différents menus. Voici les différentes possibilités :

- si l'on parcourt le menu principal : appuyez sur le bouton du MENU en même temps que sur les boutons UP/DOWN ;
  - dans le menu d'adressage : appuyez sur le bouton UP pour donner au canal une adresse DMX qui correspond à un nombre plus élevé (appuyez plus longtemps sur le bouton pour augmenter la vitesse de défilement) ;
  - dans le menu mode : appuyez sur le bouton UP pour faire passer le canal sélectionné en mode gradateur ou interrupteur ;
  - dans le menu ALONE : appuyez sur le bouton UP pour augmenter la valeur du gradateur (0~100%) quand le canal sélectionné est en mode gradateur (appuyez plus longtemps sur le bouton pour augmenter la vitesse de défilement) ; quand le canal sélectionné est en mode switch, vous pouvez l'allumer/éteindre.
8. **BOUTON ENTER** : s'il vous plaît, se référer à la structure du menu pour comprendre les différents menus. Voici les différentes possibilités :
- dans le menu principal : appuyez sur le bouton ENTER pour sélectionner le sous-menu désiré ;
  - dans un sous-menu : appuyez sur le bouton ENTER pour naviguer entre les 4 canaux ;
9. **LED DETECTRICE DE SIGNAL DMX** : cette LED indique si l'appareil reçoit bien un signal DMX sur l'entrée DMX (n°2) :
- si la LED est éclairée : aucun signal DMX n'est décelé sur l'entrée.
  - si la LED clignote : un signal DMX est bien décelé sur l'entrée.
10. **Sorties de puissance** : sont utilisées pour raccorder quatre appareils différents, tels que des jeux de lumières.
11. **Fusibles de canal** : assurent une protection individuelle sur chaque canal. Il faut toujours remplacer un fusible défectueux par un fusible ayant les mêmes caractéristiques.
12. **FUSIBLE PRINCIPAL** : il s'agit d'un coupe-circuit automatique. Quand le fusible a disjoncté, il faut d'abord localiser le problème et apporter une solution à ce qui a provoqué le déclenchement du fusible. Quand ce problème a trouvé sa solution, poussez simplement sur le bouton pour remettre le coupe-circuit en fonction.
13. **Interrupteur de mise sous tension** : met l'appareil sous ou hors tension.
14. **Cordon d'alimentation** : fournit le courant secteur à l'appareil.
15. **INTERRUPTEUR DE CHARGE**: avec ces commutateurs, vous pouvez sélectionner pour chacun des 4 canaux si ce canal va contrôler de très petites charges (comme des lampes à LED ou effets LED) ou des charges normales.:
- **Position LED**: utilisez cette position pour contrôler les petites charges, entre 10W et 500W.
  - **Position RESISTIVE / INDUCTIVE LOAD**: utilisez cette position pour contrôler des charges plus importantes d'au moins 100W.



## STRUCTURE DU MENU ...

**MENU PRINCIPAL :**

ce menu est utilisé pour sélectionner l'un des 4 sous-menus :

- appuyez sur le bouton du MENU en même temps que sur les boutons UP/DOWN pour parcourir le menu ;
- appuyez sur le bouton ENTER pour sélectionner le sous-menu désiré.

**SOUS-MENU D'ADRESSAGE :**

ce menu est utilisé pour fixer l'adresse DMX des 4 canaux de sortie. Chaque canal peut être réglé sur une adresse DMX unique. Vous pouvez même attribuer la même adresse DMX à 2 canaux ou plus.

- appuyez sur le bouton ENTER pour naviguer dans le menu ;
- une fois que vous avez sélectionné le canal désiré, appuyez sur les boutons UP/DOWN pour en fixer l'adresse ;
- appuyez sur le bouton MENU pour retourner vers le menu principal.

**SOUS-MENU MODE :**

ce menu est utilisé pour fixer le mode de fonctionnement des 4 canaux de sortie :

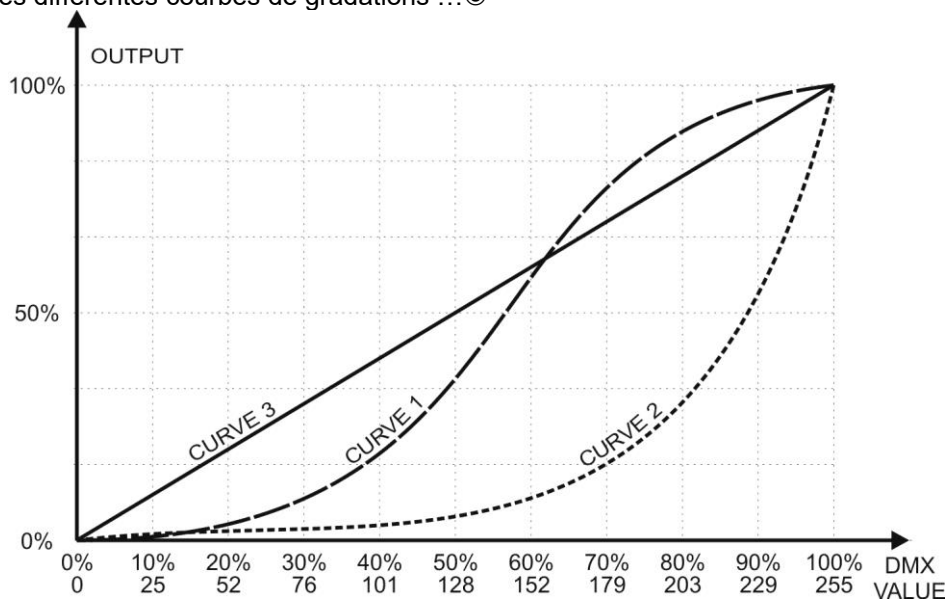
- **mode DIM** : ce mode est à utiliser quand vous connectez des lampes (projecteurs) à ce canal de sortie. Vous serez en mesure de tamiser la puissance de sortie en continu, de 0 % à 100 %.
- **mode SWITCH** : ce mode est à utiliser quand vous connectez de petits effets lumineux à ce canal de sortie. Vous pourrez ainsi inverser la sortie entre ON (100 % de la puissance) et OFF (0 % de la puissance). Vous serez ainsi en mesure de mettre en ou hors service de petits effets lumineux via votre contrôleur DMX.
  - appuyez sur le bouton ENTER pour naviguer dans le menu ;
  - une fois que vous avez sélectionné le canal désiré, appuyez sur les boutons UP/DOWN pour en fixer le mode de fonctionnement ;
  - appuyez sur le bouton MENU pour retourner vers le menu principal.

**SOUS-MENU ALONE :**

il s'agit du mode indépendant ('stand alone') : tous les niveaux de sortie peuvent être réglés à même le panneau de contrôle, de sorte que l'on n'a pas besoin d'un contrôleur externe. Il est important de savoir que ces réglages des niveaux de sortie sont gardés en mémoire même quand l'appareil est déconnecté du réseau. Cette caractéristique fait de la barre d'alimentation DB-46 un outil très utile pour éclairer des stands d'expositions, etc ...

- appuyez sur le bouton ENTER pour naviguer dans le menu ;
- une fois que vous avez sélectionné le canal désiré, appuyez sur les boutons UP/DOWN pour en fixer le niveau de sortie ;
- appuyez sur le bouton MENU pour retourner vers le menu principal.

**SOUS-MENU CURVE:** Ce menu est utilisé pour sélectionner l'une des 3 courbes préprogrammées affectant l'effet de gradation (dimmer). Veuillez s'il vous plaît vous reporter au diagramme montrant les courbes de gradation afin de choisir la courbe qui répond le mieux à vos besoins. Bien entendu, vous pouvez tout aussi bien essayer les différentes courbes de gradations ... ☺

**INSTALLATION**

- **Important:** L'installation doit être faite par du personnel qualifié uniquement. Une installation incorrecte peut causer des blessures sévères et/ou endommager l'appareil.

Grâce aux adaptateurs multifonctionnels pour rack de 19", le DSP-4 MK2 peut être installé de trois manières différentes :

**MONTAGE EN RACK DE 19" :**

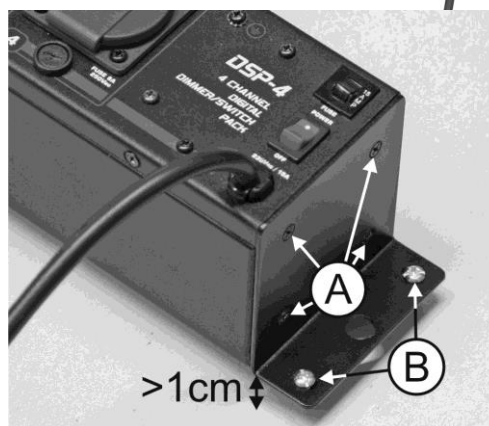
Il s'agit de la manière la plus fréquente : vous pouvez aisément installer l'appareil dans un rack standard de 19" au moyen de quatre boulons pour rack.

**MONTAGE CONTRE UNE PAROI :**

Vous pouvez aisément monter le DSP-4 MK2 contre une paroi en suivant les explications ci-dessous :

- Enlevez les 4 vis (identifiées par un "A" sur la figure ci-contre) des deux adaptateurs de 19".
- Retournez les adaptateurs de 180° comme le montre la figure ci-contre.
- Remontez les 4 vis.
- Fixez l'appareil contre une paroi en utilisant les vis ad hoc (identifiées par un "A" sur la figure ci-contre).

**IMPORTANT :** étant donné que les orifices de ventilation sont à ce moment orientés du côté de la paroi, il faut **IMPÉRATIVEMENT** utiliser des entretoises afin que l'appareil soit fixé en restant à une distance d'au moins 1 cm de la paroi.



**INSTALLATION EN HAUTEUR**

- **Important:** L'installation en hauteur exige de l'expérience ! Les limites de charge doivent être respectées, du matériel d'installation certifié doit être utilisé, et l'appareil installé doit subir des inspections de sécurité régulièrement.
- Assurez-vous que la zone au-dessous du lieu d'installation ne comporte pas de personnes indésirables lors de l'installation, la désinstallation ou la maintenance.
- Placez l'appareil dans un endroit bien ventilé, éloigné de tout matériau ou liquide inflammable. L'appareil doit être fixé à 1cm minimum des murs à l'entour.
- L'appareil doit être hors de portée du public et en dehors des zones de passage de personnes ou des zones où le public est installé.
- Avant l'installation assurez-vous que la zone d'installation supporte un point localisé minimum de 10 fois le poids de l'appareil.
- Utilisez systématiquement un câble de sécurité qui peut supporter 12 fois le poids de l'appareil lors de l'installation. Ce câble de sécurité secondaire doit être installé de manière à ce qu'aucune partie de l'appareil ne puisse descendre de plus de 20 cm si le support principal tombe.
- L'appareil doit être bien fixé, un montage à balancement est dangereux et ne devrait pas être considéré !
- Ne pas couvrir les ouvertures de ventilation pour éviter tout risque de surchauffe.
- L'utilisateur doit s'assurer que les installations techniques et de sécurité sont bien approuvées par un expert avant la première utilisation. Les installations doivent être inspectées chaque année par du personnel qualifié pour assurer une sécurité optimale.

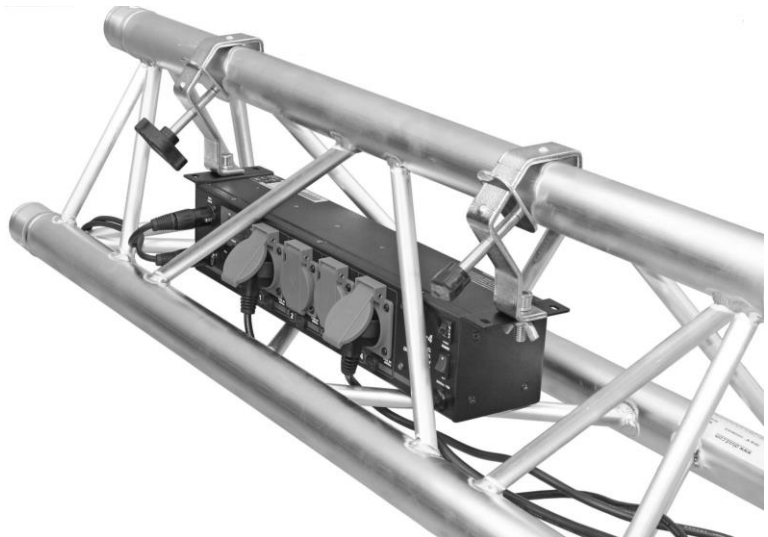
**INSTALLATION A L'INTERIEUR D'UNE STRUCTURE TUBULAIRE :**

Grâce à la taille et à la forme du DSP-4 MK2, il est possible de l'installer à l'intérieur d'une structure tubulaire (se reporter à la figure ci-contre) et de le laisser là tel quel ! Pour y arriver, suivez les étapes décrites ci-dessous :

- Enlevez les 4 vis des deux adaptateurs pour rack de 19".
- Retournez les adaptateurs de 90° comme le montre la figure ci-contre.
- Remontez les 4 vis.
- Placez le DSP-4 MK2 à l'intérieur de la structure tubulaire et utilisez 2 crochets (par exemple, notre réf. CR50/LI) afin de l'y fixer.

Pendant les transports, la structure en alu se chargera de protéger le DSP-4 MK2, et

vous gagnerez ainsi beaucoup d'espace, mais aussi pas mal de temps lors du montage ! ☺



## CONNEXIONS (ENTREES ET SORTIES PRINCIPALES)



L'appareil est fourni avec un cordon secteur approprié pour sa tension et son utilisation. Si d'autres connexions s'avéraient nécessaires, elles doivent être effectuées selon la configuration suivante :

Terre = câble vert et jaune

Neutre = câble bleu

Phase = câble brun

## SPÉCIFICATIONS

<b>Alimentation:</b>	AC 230V 50Hz.
<b>Charge totale maximale :</b>	15 A ( 3450 W )
<b>Charge par canal position normale :</b>	de 100W à 1800 W max./ res. (8A)
<b>Charge par canal position LED:</b>	10W à 500W max (2A)
<b>Fusible général :</b>	15A/250V (thermique automatique)
<b>Fusibles de canal :</b>	8A/250V Slow
<b>Entrées/Sorties DMX:</b>	3pin XLR
<b>Dimensions:</b>	480 x 100 x 88 mm
<b>Poids:</b>	2,9 kg

Chacune de ces informations peut être modifiée sans avertissement préalable. Vous pouvez télécharger la dernière version de ce mode d'emploi de notre site Web: [WWW.JB-SYSTEMS.EU](http://WWW.JB-SYSTEMS.EU)



# GEBRUIKSAANWIJZING

Hartelijk dank voor de aankoop van dit JB Systems® product. Om ten volle te kunnen profiteren van alle mogelijkheden en voor uw eigen veiligheid, gelieve de aanwijzingen zeer zorgvuldig te lezen voor U begint het apparaat te gebruiken.

## KARAKTERISTIEKEN

In dit apparaat is radio-interferentie onderdrukt. Dit product voldoet aan de gangbare Europese en nationale voorschriften. Het is vastgesteld dat het apparaat er zich aan houdt en de desbetreffende verklaringen en documenten zijn door de fabrikant afgegeven.

- Multifunctionele dimmer/switch pack uitgerust met 4 stoomuitgangen (Schuko)
- Voorzien voor gebruik met “kleine belastingen” zoals LED lampen: vanaf 10w per kanaal.
- Maximum belasting: 4x 1850W (Maxtot = 3450W/15A)
- Dank zij het design van de 19” bevestigingsplaten kan de DSP-4 MK2 op verschillende manieren gemonteerd worden:
  - Inbouw in een 19” standaard rack
  - Bevestiging aan de muur voor vaste installaties
  - Montage in of onder een ALU truss met behulp van de traditionele bevestigingshaken
- Vergrendelbare DMX in/uitgangen met POWER/DMX-present indicator
- LED display met 5 Digits + 4 toetsen voor een gemakkelijke menu navigatie:
  - DMX adressering: elk kanaal kan haar eigen DMX kanaal toegewezen krijgen
  - Elk kanaal kan afzonderlijk in dimmer of switch mode ingesteld worden
  - Afzonderlijke dimmer presets met geheugenfunctie voor elk kanaal (geen controller nodig)
- Voedingsingang met automatische 15A zekering
- Individuele zekering van 8A per kanaal
- Alle kanalen zijn uigierust met 40A triacs voor een betere betrouwbaarheid

## EERSTE INGEBRUIKNAME

### Controleer de inhoud:

Kijk na of de verpakking volgende onderdelen bevat:

- DSP-4 dimmer/switch pack
- Gebruiksaanwijzing

### Belangrijke instructies:

- Controleer voor het eerste gebruik van het apparaat of het tijdens het transport beschadigd werd. Mocht er schade zijn, gebruik het dan niet, maar raadpleeg eerst uw dealer.
- **Belangrijk:** Dit apparaat verliet de fabriek in uitstekende staat en goed verpakt. Het is erg belangrijk dat de gebruiker de veiligheidsaanwijzingen en raadgevingen in deze gebruiksaanwijzing uiterst nauwkeurig volgt. Elke schade veroorzaakt door verkeerd gebruik van het apparaat valt niet onder de garantie. De dealer aanvaardt geen verantwoordelijkheid voor mankementen en problemen die komen door het veronachtzamen van deze gebruiksaanwijzing.
- Bewaar deze brochure op een veilige plaats om hem in de toekomst nogmaals te kunnen raadplegen. Indien U het apparaat verkoopt, denkt U er wel aan om de gebruiksaanwijzing bij te voegen.
- Om het milieu te beschermen, probeer zoveel mogelijk het verpakkingsmateriaal te recyclen.

## VEILIGHEIDSVOORSCHRIFTEN:



**CAUTION**  
RISK OF ELECTRIC SHOCK  
DO NOT OPEN



**WAARSCHUWING:** Om het risico op elektrocutie zoveel mogelijk te vermijden mag u nooit de behuizing verwijderen. Er bevinden zich geen onderdelen in het toestel die u zelf kan herstellen. Laat de herstellingen enkel uitvoeren door een bevoegde technicus.



De bliksempijl die zich in een gelijkbenige driehoek bevindt is bedoeld om u te wijzen op het gebruik of de aanwezigheid van niet-geïsoleerde onderdelen met een "gevaarlijke spanning" in het toestel die voldoende kracht heeft om een risico van elektrocutie in te houden.



Het uitroepteken binnen de gelijkbenige driehoek is bedoeld om de gebruiker erop te wijzen dat er in de meegeleverde literatuur belangrijke gebruik en onderhoudsinstructies vermeld staan betreffende dit onderdeel.



Dit symbool betekent: het apparaat mag enkel binnenshuis worden gebruikt.



Dit symbool betekent: Lees de handleiding!



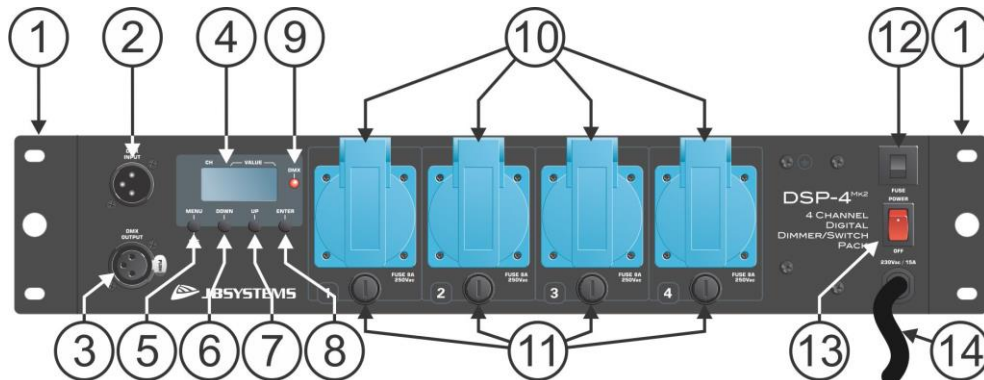
Dit symbool betekent: Controletoestel voor lamp

- Stel dit apparaat niet bloot aan regen of vocht, dit om het risico op brand en elektrische schokken te voorkomen.
- Om de vorming van condensatie binnenin te voorkomen, laat het apparaat aan de omgevingstemperatuur wennen wanneer het, na het transport, naar een warm vertrek is overgebracht. Condensatie kan het toestel soms verhinderen perfect te functioneren. Het kan soms zelfs schade aan het apparaat toebrengen.
- Gebruik dit apparaat uitsluitend binnenshuis.
- Plaats geen stukken metaal en mors geen vocht binnen in het toestel om elektrische schokken of storing te vermijden. Objecten gevuld met water, zoals bvb. Vazen, mogen op dit apparaat worden geplaatst. Indien er toch een vreemd voorwerp of water in het apparaat geraakt, moet U het direct van het lichtnet afkoppelen.
- Open vuur, zoals brandende kaarsen, mogen niet op het apparaat geplaatst worden.
- Bedek geen enkele ventilatieopening om oververhitting te vermijden.
- Zorg dat het toestel niet in een stoffige omgeving wordt gebruikt en maak het regelmatig schoon.
- Houd het apparaat uit de buurt van kinderen.
- Dit apparaat mag niet door onervaren personen bediend worden.
- De maximum veilige omgevingstemperatuur is 40°C. Gebruik het apparaat dus niet bij hogere temperaturen.
- Trek altijd de stekker uit wanneer het apparaat gedurende langere tijd niet wordt gebruikt of alvorens met de onderhoudsbeurt te beginnen.
- De elektrische installatie behoort uitsluitend uitgevoerd te worden door bevoegd personeel, volgens de in uw land geldende regels betreffende elektrische en mechanische veiligheid.
- Controleer dat de beschikbare spanning niet hoger is dan die aangegeven op de achterzijde van het toestel.
- Het stopcontact zal steeds vrij toegankelijk blijven zodat de stroomkabel op elk moment kan worden uitgetrokken.
- De elektrische kabel behoort altijd in uitstekende staat te zijn. Zet het apparaat onmiddellijk af als de elektrische kabel gekneusd of beschadigd is. De kabel moet vervangen worden door de fabrikant zelf, zijn dealer of vergelijkbare bekwame personen om een brand te voorkomen.
- Laat de elektrische draad nooit in contact komen met andere draden.
- Volgens de veiligheidsvoorschriften moet deze installatie geaard worden.
- Om elektrische schokken te voorkomen, moet U de behuizing niet openen. Er zitten geen onderdelen in die door de gebruiker moeten worden onderhouden.
- Repareer nooit een zekering en overbrug de zekeringhouder nooit. Vervang een beschadigde zekering steeds door een zekering van hetzelfde type en met dezelfde elektrische kenmerken.
- Ingeval van ernstige problemen met het bedienen van het toestel, stopt U onmiddellijk het gebruik ervan. Contacteer uw dealer voor een eventuele reparatie.
- Gebruik best de originele verpakking als het toestel vervoerd moet worden.
- Om veiligheidsredenen is het verboden om ongeautoriseerde modificaties aan het toestel aan te brengen.

## ONDERHOUD

Reinig het toestel met een zacht, lichtjes bevochtigd doek. Vermijd water te morsen in het toestel. Gebruik nooit vluchtige producten zoals benzeen of thinner, dit kan het toestel beschadigen.

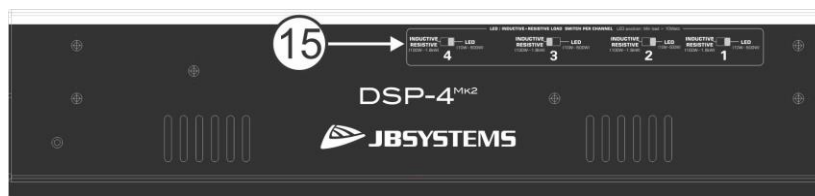
## FUNCTIES



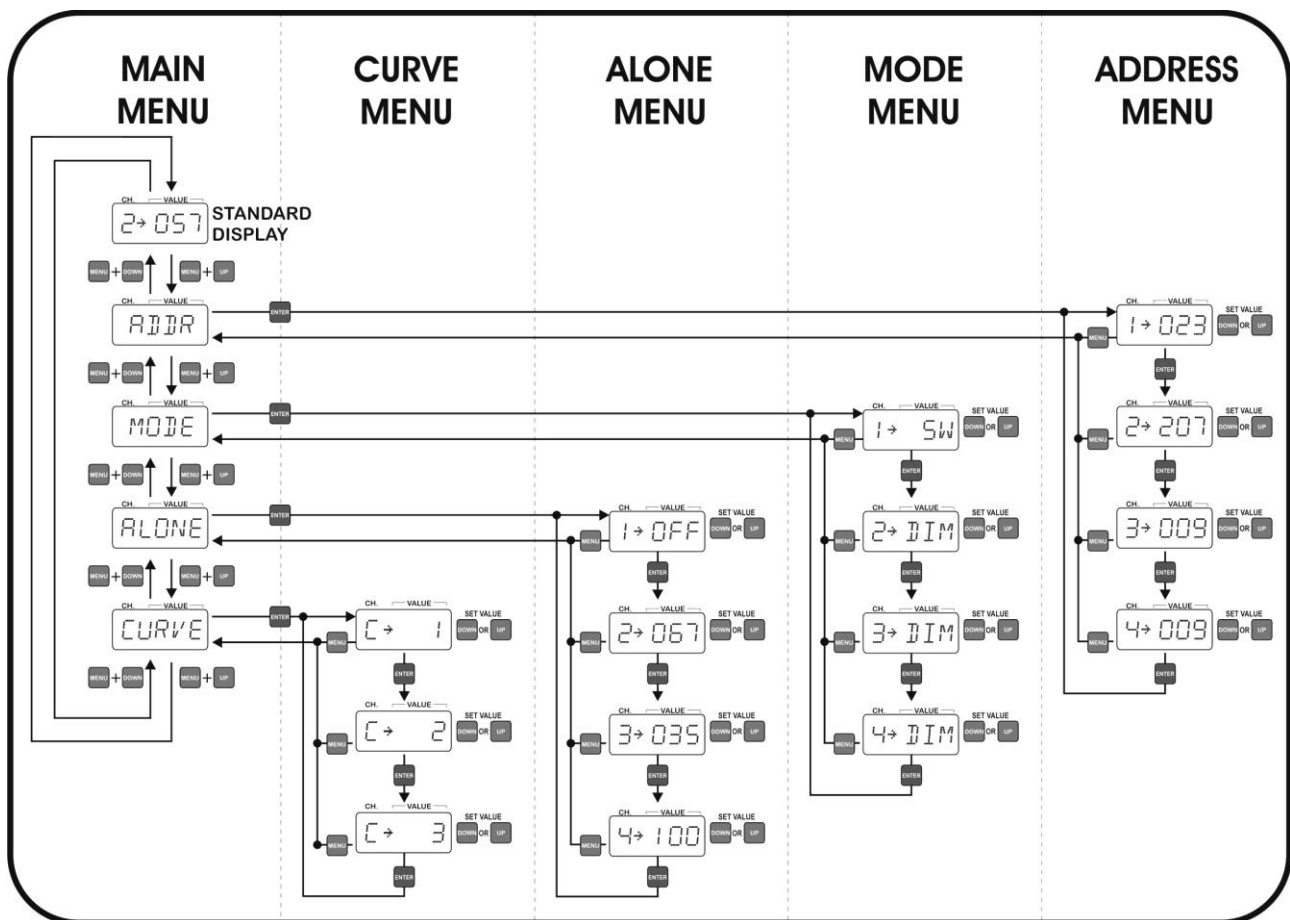
1. **MULTIFUNCTIONELE 19" ADAPTERS:** deze kunnen gebruikt worden om de DSP-4 MK2 op verschillende manieren te monteren. Zie hoofdstuk "installatie van het apparaat" voor meer informatie.
2. **DMX Input:** ontvangt het inkomende DMX signaal
3. **DMX Output:** Verzendt het inkomende DMX signaal naar een ander DMX-gestuurd toestel
4. **DISPLAY:** bij het aanzetten van het toestel wordt even de softwareversie weergegeven, daarna toont het de informatie betreffende de geselecteerde functie of werkingmodus. Het linkse cijfer toont het kanaalnummer, de 3 andere cijfers tonen de status van dit kanaal:
  - In het ADDRESS menu: Het adres van het kanaal + DMX wordt getoond, gaande van 001 tot 512
  - In het MODE menu: Werking modus wordt getoond ("DIM"= dimmer modus \* "SW"=switch modus)
  - In het ALONE menu en standaard display: Kanaaluitgang wordt getoond.
    - Kanaal in dimmer modus: Dimmer percentage, gaande van 0% tot 100%
    - Kanaal in switch modus: "ON"= output 100% \* "OFF"= output 0%
  - In het CURVE menu: wordt de dimmercurve getoond welke u geselecteerd heeft
5. **MENU TOETS:** Bekijk de structuur van het menu om de verschillende menu's te begrijpen. Dit zijn de volgende mogelijkheden
  - Het main menu doornemen: Druk op de MENU toets tezamen met de UP/DOWN toetsen.
  - Teruggaan naar het main menu: Druk op de MENU toets om terug te keren naar het main menu (escape functie)
6. **DOWN TOETS:** Bekijk de structuur van het menu om de verschillende menu's te begrijpen. Dit zijn de volgende mogelijkheden:
  - Het main menu doornemen: Druk op de MENU toets tezamen met de UP/DOWN toetsen.
  - In het address menu: Druk op de DOWN toets om het DMX adres van het geselecteerde kanaal te verlagen. (druk de toets in voor een langere tijd om de snelheid te verhogen)
  - In het mode menu: Druk op de DOWN toets om het geselecteerde kanaal in switch of dimmer modus te plaatsen.
  - In het Alone menu: Druk op de DOWN toets om de dimmer waarde te verlagen (0-100%) wanneer het geselecteerde kanaal in dimmer modus is geplaatst. (druk de toets voor een langere tijd in om de snelheid te verhogen). Wanneer het geselecteerde kanaal geplaatst is in switch modus, kunt u het uitgangskanaal UIT of AAN zetten.
7. **UP TOETS:** Bekijk de structuur van het menu om de verschillende menu's te begrijpen. Dit zijn de volgende mogelijkheden:
  - Het main menu doornemen: Druk op de MENU toets tezamen met de UP/DOWN toetsen.
  - In het address menu: Druk op de UP toets om het DMX adres van het geselecteerde kanaal te verhogen. (druk de toets in voor een langere tijd om de snelheid te verhogen)
  - In het mode menu: Druk op de UP toets om het geselecteerde kanaal in dimmer of switch modus te plaatsen.
  - In het Alone menu: Druk op de UP toets om de dimmer waarde te verhogen (0-100%) wanneer het geselecteerde kanaal in dimmer modus is geplaatst. (druk de toets voor een langere tijd in

om de snelheid te verhogen). Wanneer het geselecteerde kanaal geplaatst is in switch modus, kunt u de uitgangskanaal AAN of UIT zetten.

8. **ENTER TOETS:** Bekijk de structuur van het menu om de verschillende menu's te begrijpen. Dit zijn de volgende mogelijkheden:
  - In het main menu: Druk op de ENTER toets om het verlangde sub menu te selecteren.
  - In het sub menu: Druk op de ENTER toets om de 4 kanalen door te nemen.
9. **DMX DETECTIE LED:** deze LED geeft aan of het toestel een DMX-sigitaal ontvangt aan de DMX-input(n°2).
  - **LED aan:** geen DMX-sigitaal gedetecteerd aan de input
  - **LED knippert:** DMX-sigitaal gedetecteerd aan de input
10. **KANAALUITGANGEN:** Wordt gebruikt om 4 verschillende toestellen aan te sluiten, zoals lichteffecten
11. **KANAALZEKERINGEN:** Beschermt de individuele kanalen. Vervang een kapotte zekering altijd met een zekering van de dezelfde waarde
12. **HOOFDZEKERING:** Dit is een automatische zekering. Wanneer de zekering is gesprongen, lokaliseer en los dan eerst het probleem op dat ervoor gezorgd heeft dat de zekering gesprongen is. Wanneer het probleem opgelost is, druk dan simpelweg op de knop om de zekering te resetten.
13. **NETSCHAKELAAR:** daarmee zet u het toestel AAN/UIT
14. **NETSNOER:** verzorgt de elektriciteit naar het toestel
16. **LOAD SCHAKELAARS:** hiermee kiest U voor elk van de 4 kanalen afzonderlijk of deze kleine belastingen moeten aansturen (zoals LED-lampen of LED-effecten) of gewone belastingen:
  - **LED-positie:** gebruik deze stand bij kleine belastingen, tussen 10W en 500W.
  - **RESISTIVE / INDUCTIVE LOAD-positie:** gebruik deze stand bij normale belastingen van minimum 100W.



## MENUSTRUCTUUR...



### MAIN MENU:

Dit menu wordt gebruikt om één van de 4 submenu's te selecteren.

- Druk op de MENU toets samen met de UP/DOWN toetsen om het menu door te nemen.
- Druk op de ENTER toets om het verlangde sub menu te selecteren.

### ADDRESS SUBMENU:

Dit menu wordt gebruikt om het DMX adres van de 4 kanaaluitgangen in te stellen. Elke kanaal kan ingesteld worden op een uniek DMX adres. U kunt ook 2 of meerdere kanalen hetzelfde DMX adres geven.

- Druk de MENU toets samen met de UP of DOWN toets in om het menu te doorlopen
- Druk op de ENTER toets om het gewenste submenu te selecteren

### MODE SUBMENU:

Dit menu wordt gebruikt om de werking modus van de 4 kanaaluitgangen in te stellen.

- **DIM modus:** gebruik deze modus wanneer je lampen (projectoren) aansluit aan dit output kanaal. Je zal in staat zijn om de output vloeiend te dimmen tussen 0% en 100%.
- **SWITCH modus:** gebruik deze modus wanneer je kleine licht effecten verbindt met dit output kanaal. Je kunt de output tussen AAN (100% output) en UIT (0% output) omschakelen. Nu kun je kleine licht effecten aan- en uitschakelen met uw DMX-controller .
  - Druk op de ENTER toets om het menu door te nemen.
  - Wanneer u het verlangde kanaal heeft geselecteerd, druk dan op de UP/DOWN toetsen om de werkingmodus in te stellen
  - Druk op de MENU toets om terug te keren naar het main menu

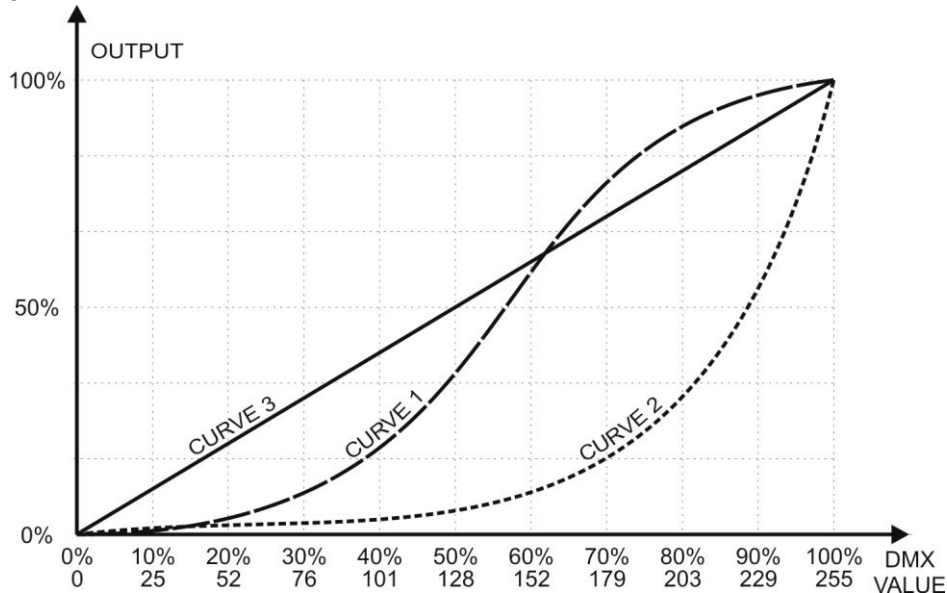
### ALONE SUBMENU

Dit is een standalone modus, alle uitgangniveaus kunnen dan direct op het controlepaneel ingesteld worden zodat u geen controller hoeft te hebben. Het is belangrijk te weten dat de instellingen van de uitgangen

opgeslagen worden wanneer het toestel losgekoppeld wordt van het net. Dit maakt dat de DB-46 zeer bruikbaar is om tentoonstellingsruimten te verlichten, etc.

- Druk op de ENTER toets om het menu door te nemen
- Wanneer u het verlangde kanaal heeft geselecteerd, druk dan op de UP/DOWN toetsen om het niveau van de uitgang in te stellen
- Druk op de MENU toets om terug te keren naar het main menu.

**CURVE SUBMENU:** dit menu wordt gebruikt om één van de 3 dimmercurven te selecteren. Kies uit onderstaand diagram de curve die het best voldoet aan uw behoeften. U kunt ze natuurlijk ook gewoon uitproberen... ☺



## INSTALLATIE VAN HET APPARAAT

**Belangrijk:** De installatie van het toestel mag uitsluitend door bekwaam onderhoudspersoneel uitgevoerd worden. Onjuiste plaatsing kan ernstige letsels en/of schade aan eigendommen tot gevolg hebben.

Dankzij de multifunctionele 19" adapters kan de DSP-4 MK2 op verschillende manieren gemonteerd worden:

### MONTAGE IN EEN 19" RACK:

De meest gebruikelijke manier: u kunt het toestel op een eenvoudige manier monteren in een standaard 19" rack door middel van 4 bouten.

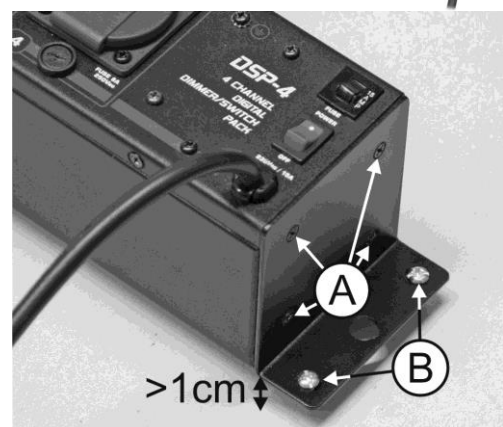


### BEVESTIGING AAN DE MUUR:

U kunt de DSP-4 MK2 aan de muur bevestigen op de volgende manier:

- Verwijder de 4 schroeven ("A" op de afbeelding) van beide 19" adapters
- Draai de adapters 180° zoals op de afbeelding hiernaast.
- Maak de 4 schroeven terug vast
- Bevestig het toestel aan de muur met behulp van aangepaste schroeven ("B" op de afbeelding).

**BELANGRIJK:** aangezien de koelopeningen nu naar de muur gericht zijn MOET u wel afstandsrings gebruiken zodat er zich een spatie van minstens 1cm tussen de muur en het toestel bevindt!



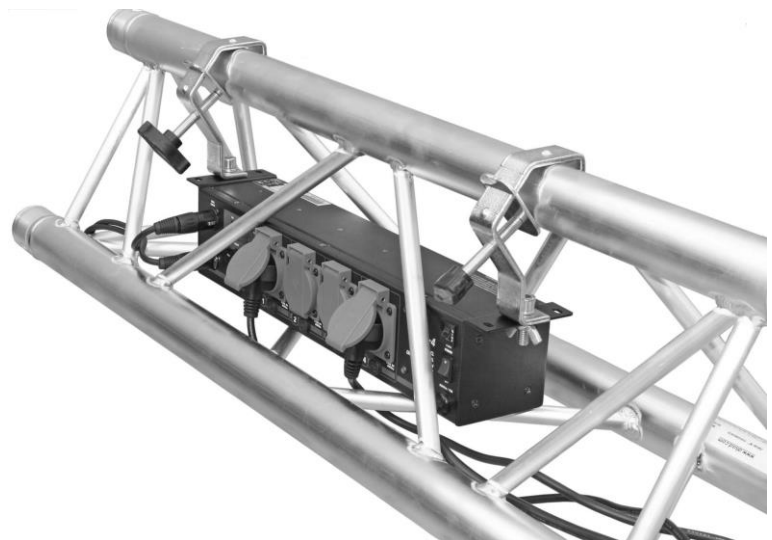
**OPHANGEN OF MONTEREN IN TRUSS**

- **Belangrijk:** Het ophangen vergt veel ervaring. U behoort de grenzen te respecteren aan de werklust; erkende installeringmaterialen moeten worden gebruikt; de veiligheid van het geïnstalleerde toestel moet regelmatig worden gecontroleerd.
- Overtuig U ervan dat het gebied onder installatieplaats vrij is van ongewenste personen tijdens het plaatsen, het weghalen en het onderhoud.
- Installeer het toestel op een goed geventileerde plaats, ver van brandbare stoffen en/of vloeistoffen. Het toestel moet worden bevestigd op **minstens 50 cm** van de omringende muren.
- Het toestel moet worden geïnstalleerd buiten het bereik van iedereen en weg van plaatsen waar men mag lopen en zitten.
- Alvorens tot plaatsen over te gaan, moet men controleren dat de minimum puntbelasting van de installatieplaats 10 keer het gewicht van het toestel bedraagt.
- Gebruik bij het installeren van het toestel altijd een gewaarmerkte veiligheidskabel die 12 keer het gewicht van het toestel kan dragen. Deze bijkomende veiligheidsbevestiging moet zo worden aangebracht dat geen deel van het toestel meer dan 20 cm vallen kan als de hoofdbeveiliging faalt.
- Het apparaat moet goed worden vastgezet; aan een vrij zwaaiende montage mag zelfs niet gedacht worden.
- Bedek geen ventilatieopeningen, anders zou dit oververhitting of zelfs brand kunnen veroorzaken.
- De gebruiker moet er zich van verzekeren dat de installaties met betrekking tot de veiligheid en de technische mechaniek door een expert zijn goedgekeurd alvorens ze voor de eerste keer te gebruiken. Elk jaar moeten de installaties worden gekeurd door een vakman om te controleren of de veiligheid nog steeds perfect is.

**BEVESTIGING IN TRUSS:** dank zij de vorm van de DSP-4 MK2 kunt u deze binnen in de ALU truss bevestigen (zie afbeelding) en het zelfs zo definitief laten hangen! Voer hiervoor volgende stappen uit:

- Verwijder de 4 schroeven ("A" op de afbeelding) van beide 19" adapters
- Draai de adapters 90° zoals op de afbeelding hiernaast.
- Maak de 4 schroeven terug vast
- Plaats de DSP-4 MK2 in de truss en gebruik 2 bevestigingshaken (bvb onze CR50/LI) om het vast te maken.

De ALU truss zal tijdens het transport uw DSP-4 MK2 beschermen en u wint eveneens veel ruimte en tijd bij het installeren en afbreken! ☺



## AANSLUITINGEN



Dit toestel bevat een netsnoer met netstekker die afhankelijk is van zijn voltage en bestemming. Moest een andere connectie aangewezen zijn, dan dient dit te gebeuren volgens de volgende configuratie:

Aarding = Groen/Gele kabel

Neutraal = Blauwe kabel

Stroomvoerende draad = Bruine kabel

## EIGENSCHAPPEN

<b>Voedingsspanning:</b>	AC 230V, 50Hz
<b>Max. Totale Belasting:</b>	15 A ( 3450 W )
<b>Belasting per kanaal, normaal:</b>	van 100W tot max. 1800 W / res. (8A)
<b>Belasting per kanaal, LED-positie:</b>	10W tot max 500W (2A)
<b>Kanaalzekeringen:</b>	8A/250V Traag
<b>Hoofdzekering:</b>	15A/250V (automatische thermische zekering)
<b>DMX Ingangen/Uitgangen:</b>	3pin XLR
<b>Afmetingen:</b>	480 x 100 x 88 mm
<b>Gewicht:</b>	2,9 kg

Elke inlichting kan veranderen zonder waarschuwing vooraf.

U kan de laatste versie van deze handleiding downloaden via onze website: [WWW.JB-SYSTEMS.EU](http://WWW.JB-SYSTEMS.EU)



# BEDIENUNGSANLEITUNG

Vielen Dank, dass Sie sich für den Erwerb dieses JBSystems®-Produkt entschieden haben. Bitte lesen Sie diese Bedienungsanleitung sorgfältig vor der Inbetriebnahme durch, zur vollen Ausschöpfung der Möglichkeiten, die dieses Gerät bietet, sowie zu Ihrer eigenen Sicherheit.

## EIGENSCHAFTEN

Das Gerät ist funkentstört und erfüllt die Anforderungen der europäischen und nationalen Bestimmungen. Entsprechende Dokumentation liegt beim Hersteller vor.

- Multifunktions-Dimmer/Switch-Pack mit 4 Netzsteckdosen (Schuko)
- Vorbereitet für den Einsatz mit "Low-Power" LED-Lasten: Arbeitet mit Lasten nur bis 10 Watt pro Kanal.
- Maximale Ausgangsleistung: 4x 1850W (Maxtot = 3450W/15A)
- Dank der gut ausgelegten 19" Bügel kann der DSP-4 MK2 auf verschiedene Arten installiert werden:
  - Standard 19" Gestellaufbau
  - Wandbefestigung in feststehenden Installationen
  - Montage unter oder in Trägern mit Hilfe von Klemmen
- Sperrung von DMX Ein-/Ausgängen mit POWER/DMX-Einschaltanzeige
- 5-stelliges LED Display mit 4 Knöpfen für ein einfaches Menü-Navigieren:
  - DMX-Adressen-Einstellung: jeder Kanal kann seine eigene Adresse haben
  - Jeder Kanal kann einzeln in den Dimmer- oder Switch-Modus geschaltet werden
  - Getrennte Dimmer-Voreinstellungen mit Speicherfunktion für jeden Kanal (kein Controller erforderlich)
- Netzeingang mit automatischer 15A Sicherung
- Getrennte Kanal-8A-Sicherungen
- Alle Kanäle sind mit 40A-Triacs ausgestattet, um die Zuverlässigkeit zu erhöhen

## VOR DER ERSTBENUTZUNG

### Überprüfen Sie den Inhalt:

Folgende Teile müssen sich in der Geräteverpackung befinden:

- DSP-4 MK2 dimmer/switch pack.
- Bedienungsanleitung

### Wichtige Hinweise:

- Vor der Erstbenutzung bitte das Gerät zuerst auf Transportschäden überprüfen. Sollte das Gerät einen Schaden aufweisen, Gerät bitte nicht benutzen, sondern setzen Sie sich unverzüglich mit ihrem Händler in Verbindung.
- **Wichtiger Hinweis:** Das Gerät hat das Werk unbeschädigt und gut verpackt verlassen. Es ist wichtig, dass der Benutzer sich streng an die Sicherheitshinweise und Warnungen in der Bedienungsanleitung hält. Schäden durch unsachgemäße Handhabung sind von der Garantie ausgeschlossen. Der Händler übernimmt keine Verantwortung für Schäden, die durch Nichtbeachtung der Bedienungsanleitung hervorgerufen wurden.
- Die Bedienungsanleitung zum zukünftigen Nachschlagen bitte aufbewahren. Bei Verkauf oder sonstiger Weitergabe des Geräts bitte Bedienungsanleitung beifügen.
- Aus Umweltschutzgründen Verpackung bitte wiederverwenden oder richtig trennen.

## SICHERHEITSHINWEISE



**CAUTION**  
RISK OF ELECTRIC SHOCK  
DO NOT OPEN



**ACHTUNG:** Um sich nicht der Gefahr eines elektrischen Schlags auszusetzen, entfernen Sie keines der Gehäuseteile. Im Geräteinneren befinden sich keine vom Benutzer reparierbaren Teile. Überlassen Sie Reparaturen dem qualifizierten Kundendienst.



Das Blitzsymbol im Dreieck weist den Benutzer darauf hin, dass eine Berührungsfahr mit nicht isolierten Teilen im Geräteinneren, die eine gefährliche Spannung führen, besteht. Die Spannung ist so hoch, dass hier die Gefahr eines elektrischen Schlages besteht.



Das Ausrufezeichen im Dreieck weist den Benutzer auf wichtige Bedienungs- und Wartungshinweise in den Dokumenten hin, die dem Gerät beiliegen.



Dieses Symbol bedeutet: Nur innerhalb von Räumen verwenden.



Dieses Symbol bedeutet: Achtung! Bedienungsanleitung lesen!



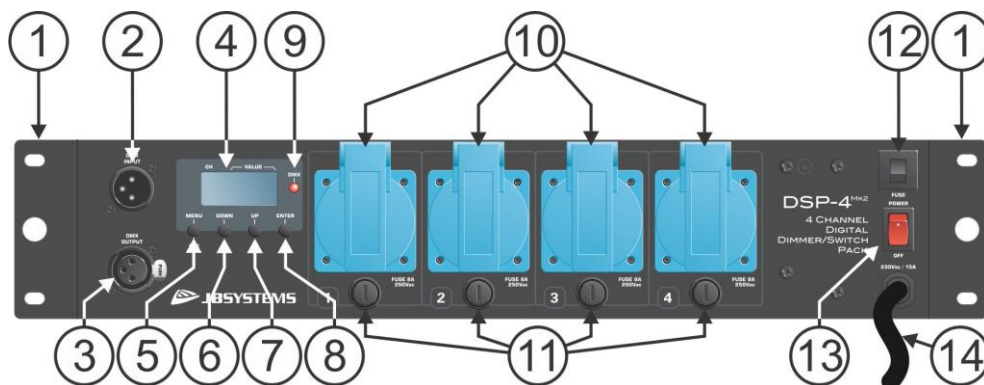
Dieses Symbol bedeutet: Lampenvorschaltgerät

- Zur Vermeidung von Stromschlag oder Feuer, Gerät bitte nicht Regen oder Feuchtigkeit aussetzen.
- Zur Vermeidung von Kondensation lassen sie das Gerät bitte nach dem Transport in einer warmen Umgebung einige Zeit zum Temperatúrausgleich stehen. Kondensation kann zu Leistungsverlust des Gerätes oder gar Beschädigung führen.
- Gerät nicht im Freien und in feuchten Räumen und Umgebungen verwenden.
- Keine Metallgegenstände oder Flüssigkeiten ins Innere des Geräts gelangen lassen. Keine mit Flüssigkeit gefüllten Gegenstände, z.B. Vasen, auf das Gerät stellen. Kurzschluss oder Fehlfunktion können die Folge sein. Falls es doch einmal vorkommen sollte, bitte sofort Netzstecker ziehen und vom Stromkreis trennen.
- Offene Brandquellen, wie z.B. brennende Kerzen, sollten nicht auf das Gerät gestellt werden.
- Ventilationsöffnungen nicht abdecken, da Überhitzungsgefahr!
- Nicht in staubiger Umgebung verwenden und regelmäßig reinigen.
- Für Kinder unerreichbar aufbewahren.
- Unerfahrene Personen sollen das Gerät nicht bedienen.
- Umgebungstemperatur darf 40°C nicht überschreiten.
- Stets Netzstecker ziehen, wenn Gerät für längeren Zeitraum nicht genutzt oder es gewartet wird.
- Elektrische Anschlüsse nur durch qualifiziertes Fachpersonal überprüfen lassen.
- Sicherstellen, dass Netzspannung mit Geräteaufkleber übereinstimmt.
- Die Netzsteckdose sollte immer gut erreichbar sein, um das Gerät vom Netz zu trennen.
- Gerät nicht mit beschädigtem Netzkabel betreiben. Ist die Zugangsleitung beschädigt, muss diese durch den Hersteller, seinen Vertrieb oder durch eine qualifizierte Person ersetzt werden.
- Netzkabel nicht mit anderen Kabeln in Berührung kommen lassen!
- Ausschließlich vorschriftsmäßige Kabel zur Installation verwenden.
- Gerät nicht öffnen. Es sind keine zu wartenden Bauteile im Gerät enthalten.
- Sicherung niemals reparieren oder überbrücken, sondern immer mit gleichartiger Sicherung ersetzen!
- Bei Fehlfunktion Gerät nicht benutzen und sich mit dem Händler in Verbindung setzen.
- Bei Transport bitte Originalverpackung verwenden, um Schäden am Gerät zu vermeiden.
- Aus Sicherheitsgründen dürfen an dem Gerät keine unbefugten Veränderungen vorgenommen werden.

## WARTUNG

Die Reinigung des Geräts erfolgt mit einem leicht mit Wasser angefeuchteten Tuch. Vermeiden Sie, dass Wasser in das Gerätinnere gelangt. Verwenden Sie keine brennbaren Flüssigkeiten wie Benzin oder Verdünner, die das Gerät beschädigen würden.

## FUNKTIONEN

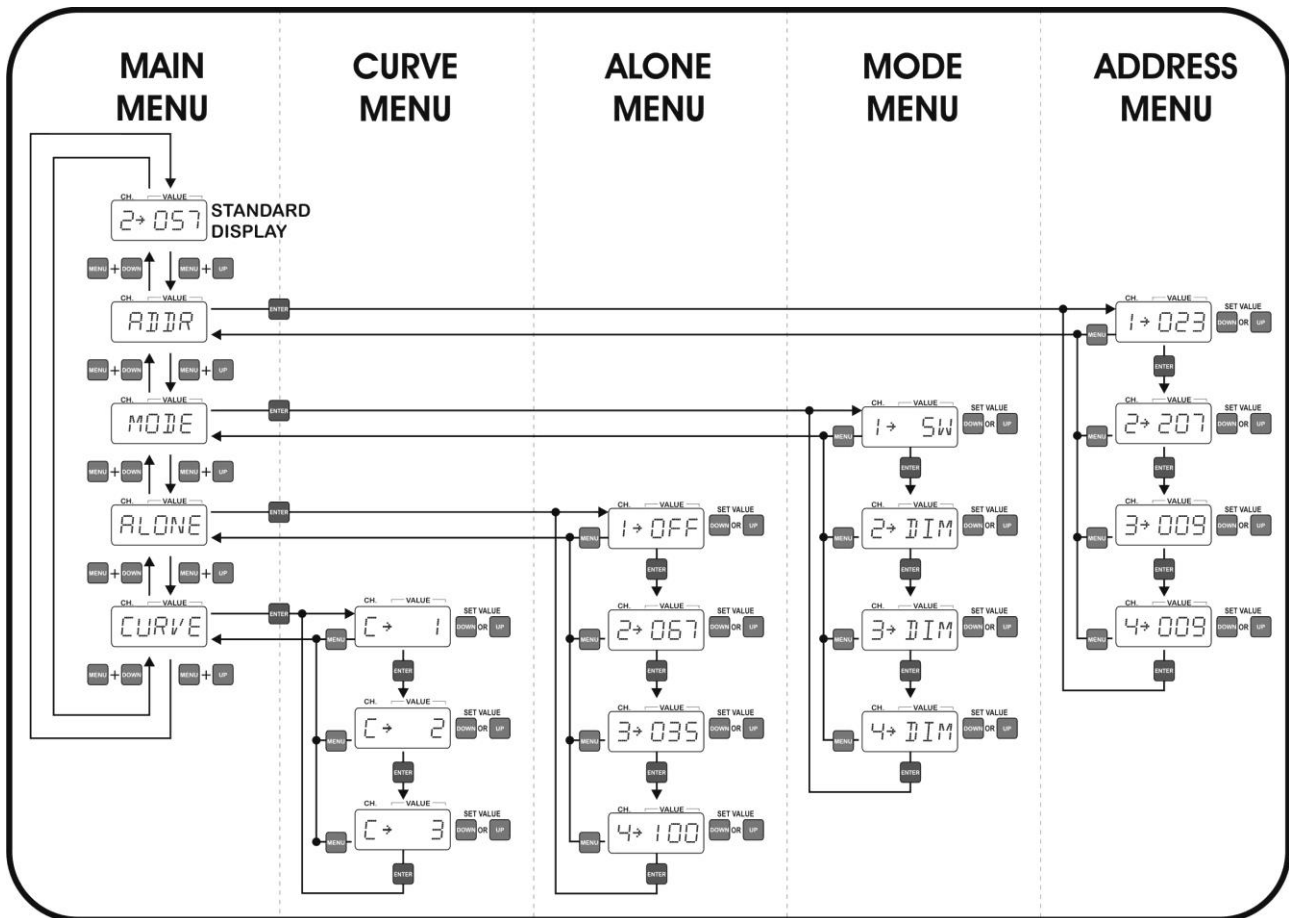


1. **MULTIFUNKTIONALER 19" ADAPTER:** zum Befestigen des DSP-4 MK2 auf mehrere Art und Weisen. Siehe Kapitel "Installation und Überkopfmontage" für weitere Informationen.

2. **DMX Input:** Eingang für DMX-Signal
3. **DMX Output:** Überträgt das eingehende DMX-Signal an ein weiteres DMX-Gerät.
4. **DISPLAY:** Zeigt die Softwareversion kurz nach Anschalten des Geräts an. Darüber hinaus Anzeige der Informationen zur ausgewählten Funktion oder zum Betriebsmodus. Die linke Ziffer zeigt die Kanalnummer, die 3 anderen Ziffern zeigen den Kanalstatus an:
  - Im Addressmenü: Anzeige der Kanal + DMX Adresse von 001 bis 512
  - Im Modemenü: Anzeige des Betriebsmodus. ("DIM" = Dimmermodus \* "SW" = Schaltmodus)
  - Im ALONE Menü und Standard-Display: Anzeige des Kanal-Ausgangsstatus.
    - Kanal in Dimmermodus: Dimmerprozentzahl von 0% bis 100%
    - Kanal in Switchmodus: "oN" = Ausgang 100% \* "oFF" = Ausgang 0%
  - Curve : zeigt die benutzte Dimmerkurve an
5. **MENU TASTE:** Bitte lesen Sie Einzelheiten zur Menüstruktur nach, nachstehend die Optionen:
  - Browsen des Mainmenüs: Drücken Sie gleichzeitig MENU und UP/DOWN.
  - Rückkehr ins Mainmenü: Drücken Sie MENU zur Rückkehr ins Hauptmenü (Escapefunktion).
6. **DOWN TASTE:** Bitte lesen Sie Einzelheiten zur Menüstruktur nach, nachstehend die Optionen:
  - Browsen des Mainmenüs: Drücken Sie gleichzeitig MENU und UP/DOWN.
  - Im Addressmenü: Drücken Sie DOWN zur Herabsetzung der DMX-Adresse des ausgewählten Kanals (mit längerem Tastendruck Erhöhung der Geschwindigkeit).
  - Im Modemenü: Drücken Sie DOWN zum Umschalten des gewählten Kanals in Dimmermodus oder Switchmodus.
  - Im Alonemenü: Drücken Sie DOWN zur Verringerung des Dimmerwerts (0~100%), sofern sich der gewählte Kanal in Dimmermodus befindet (mit längerem Tastendruck Erhöhung der Geschwindigkeit). Ist der gewählte Kanal auf Schaltmodus eingestellt, dann kann der Ausgang auf off oder on eingestellt werden.
7. **UP TASTE:** Bitte lesen Sie Einzelheiten zur Menüstruktur nach, nachstehend die Optionen:
  - Browsen des Mainmenüs: Drücken Sie gleichzeitig MENU und UP/DOWN.
  - Im Addressmenü: Drücken Sie UP zur Erhöhung der DMX-Adresse des ausgewählten Kanals (mit längerem Tastendruck Erhöhung der Geschwindigkeit).
  - Im Modemenü: Drücken Sie UP zum Umschalten des gewählten Kanals in Switchmodus oder Dimmermodus.
  - Im Alonemenü: Drücken Sie UP zur Erhöhung des Dimmerwerts (0~100%), sofern sich der gewählte Kanal in Dimmermodus befindet (mit längerem Tastendruck Erhöhung der Geschwindigkeit). Ist der gewählte Kanal auf Switchmodus eingestellt, dann kann der Ausgang auf on oder off eingestellt werden.
8. **ENTER TASTE:** Bitte lesen Sie Einzelheiten zur Menüstruktur nach, nachstehend die Optionen:
  - Im Mainmenü: Drücken Sie ENTER zur Auswahl des gewünschten Untermenüs.
  - Im Untermenü: Drücken Sie ENTER zum Browsen durch die 4 Kanäle.
9. **DMX PRESENT LED:** Die LED zeigt den DMX Status am Eingang (n°2) an:
  - **LED ist an:** es liegt kein DMX Signal am Eingang an.
  - **LED blinkt:** es liegt ein DMX Signal am Eingang an.
10. **KANALAUSGÄNGE:** Jeder Kanalausgang hat seine eigene Ausgangsbuchse zum Anschluss jeglicher resistiver und/oder induktiver Projektoren oder kleine Lichteffekte.
11. **KANALSICHERUNGEN:** Schützen die einzelnen Kanäle. Ersatz nur durch gleichartige Sicherung.
12. **EINGANGSSICHERUNG:** Sicherungsautomat. Bei durchgebrannter Sicherung finden Sie bitte zunächst das Problem, das zum Durchbrennen der Sicherung geführt hat. Anschließend drücken Sie den Rückstellknopf des Sicherungsautomaten.
13. **POWER SCHALTER:** Schaltet das Gerät ON / OFF.
14. **POWER KABEL:** Netzanschluss des Geräts.
15. **LOAD Schalter:** Mit diesem Schalter können sie jeden der 4 Kanäle auswählen, der kleine Lasten (z.B. LED Lampen oder LED Lichteffekte) oder große Lasten schalten soll:
  - **LED-Position:** Benutzen sie diese Einstellung für kleine Lasten zwischen 10W und 500W.
  - **RESISTIVE/INDUCTIVE LOAD-Position:** Benutzen sie diese Einstellung für Lasten von mindesten 100W.



## MENÜSTRUKTUR...

**MAINMENÜ:**

Menü zur Auswahl eines der 4 Untermenüs.

- Drücken Sie gleichzeitig MENU und UP/DOWN zum Browsen des Menüs.
- Drücken Sie ENTER zur Auswahl eines gewünschten Untermenüs.

**ADDRESS UNTERMENÜ:**

Menü zum Einstellen der DMX-Adresse der 4 Ausgangskanäle. Jeder Kanal kann auf eine spezifische DMX-Adresse eingestellt werden. Sie können ebenfalls 2 oder mehr Kanälen die gleiche DMX-Adresse zuteilen.

- Drücken Sie ENTER zum Browsen des Menüs.
- Nach Auswahl des gewünschten Kanals drücken Sie UP/DOWN zum Einstellen der Adresse.
- Drücken Sie MENU zur Rückkehr ins Hauptmenü.

**MODE UNTERMENÜ:**

Menü zum Einstellen des Betriebsmodus der 4 Ausgangskanäle.

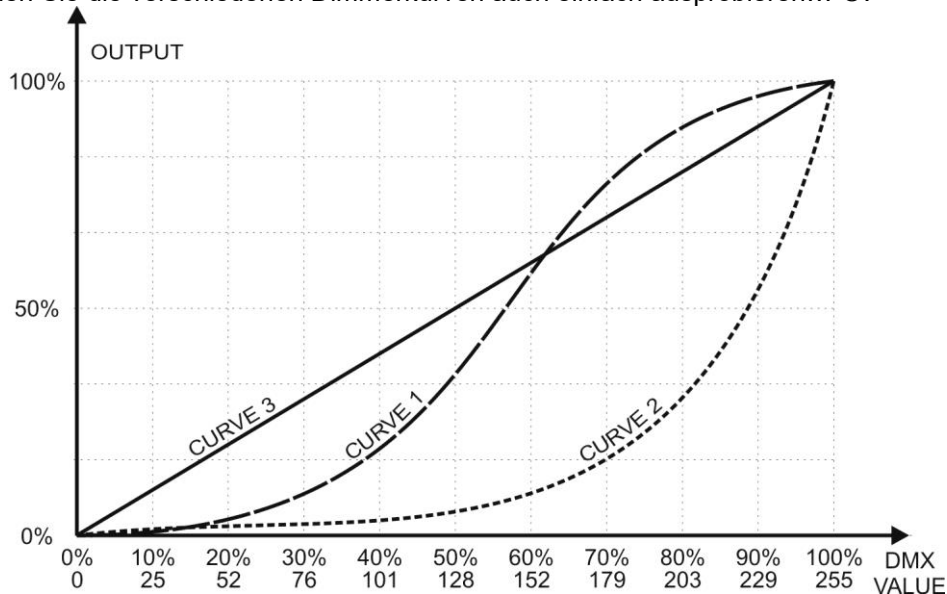
- **DIM Modus:** Nutzen sie diesen Modus, wenn sie z.B. Scheinwerfer an diesem Ausgangs Kanal anschließen möchten. Sie können diesen Kanal von 0% - 100% dimmen.
- **SWITCH Modus:** Nutzen sie diesen Modus, wenn sie z.B. Lichteffekte an diesen Ausgangskanal anschließen möchten. Sie können nun diesen Ausgang zwischen AN und AUS schalten. Nun können sie über ihr DMX Steuergerät Lichteffekte an und ausschalten.
  - Drücken Sie ENTER zum Browsen des Menüs.
  - Nach Auswahl des gewünschten Kanals drücken Sie UP/DOWN zum Einstellen des Betriebsmodus.
  - Drücken Sie MENU zur Rückkehr ins Hauptmenü.

**ALONE UNTERMENÜ:**

Unabhängiger Modus, alle Ausgangspegel können direkt im Bedienfeld eingestellt werden, es wird also kein Controller benötigt. Die Ausgangseinstellungen bleiben nach dem Ziehen des Netzsteckers erhalten. Hierdurch ist der DB-46 bei der Beleuchtung von Ausstellungsständen usw. besonders hilfreich.

- Drücken Sie ENTER zum Browsen des Menüs.
- Nach Auswahl des gewünschten Kanals drücken Sie UP/DOWN zum Einstellen des Ausgangspegels.
- Drücken Sie MENU zur Rückkehr ins Hauptmenü.

**CURVE UNTERMENÜ:** Menü dient zum Auswählen einer der 3 voreingestellten Dimmerkurven. Beachten Sie bitte das Dimmerkurven-Diagramm, um die für Ihre Zwecke geeignetste Dimmerkurve zu finden. Natürlich können Sie die verschiedenen Dimmerkurven auch einfach ausprobieren... ☺.



## MONTAGE

**Wichtig:** Montage ausschließlich durch qualifiziertes Fachpersonal durchführen lassen. **Unvorschriftsmäßiger Einbau kann erhebliche Verletzungen und/oder Schäden verursachen.**

Dank der multifunktionalen 19" Adapter kann der DSP-4 MK2 auf 3 verschiedene Arten installiert werden:

### 19" RACK MOUNTING (Gestellmontage):

Die gängigste Art: Sie können das Gerät einfach in einem standard 19" Gestell mit 4 Gestellschrauben installieren.

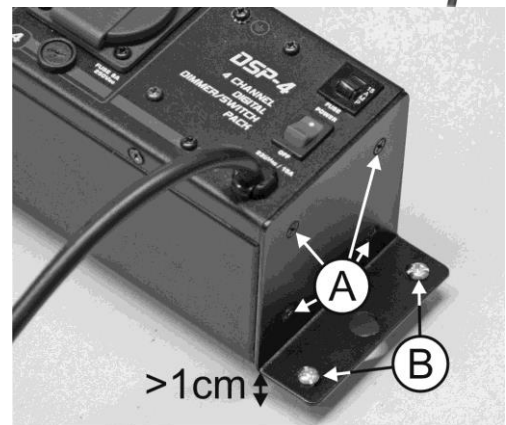


### WALL MOUNTING (Wandbefestigung):

Sie können den DSP-4 MK2 einfach an der Wand befestigen, wie nachfolgend beschrieben:

- Lösen Sie die 4 Schrauben (auf der Abbildung mit "A" gekennzeichnet) an beiden 19" Adapter
- Drehen Sie die Adapter gemäß Abbildung um 180°.
- Drehen Sie die 4 Schrauben wieder fest.
- Befestigen Sie das Gerät mittels geeigneter Schrauben an der Wand (auf der Abbildung mit "B" gekennzeichnet).

**WICHTIG:** da sich die Lüftungslöcher jetzt an der zur Wand gedrehten Seite befinden, **MÜSSEN** Sie Abstandhalter benutzen, um einen Abstand von mindestens 1cm zwischen dem Gerät und der Wandoberfläche zu gewährleisten!



### ÜBERKOPF-MONTAGE UND TRUSS MOUNTING (Trägermontage)

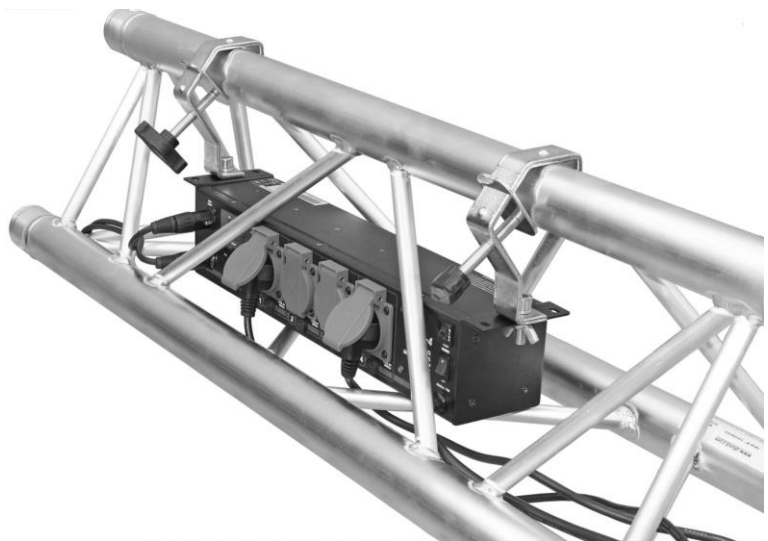
- **Wichtig:** Überkopf-Montage verlangt entsprechende Erfahrung! Belastungsgrenzen müssen beachtet werden, geeignetes Installationsmaterial muss verwendet werden und das installierte Gerät muss in regelmäßigen Abständen überprüft werden.
- Sicherstellen, dass sich keine unbefugten Personen unterhalb des Geräts befinden, während es installiert oder gewartet wird.

- Gerät in gut belüfteter Position installieren, weit entfernt von entflammaren Materialien und/oder Flüssigkeiten. Einen Seitenabstand von mindestens 1cm einhalten.
- Gerät außerhalb der Reichweite von Personen, und nicht in niedrigen Durchgängen oder in der Nähe von Sitzgelegenheiten installieren.
- Vor Montage sicherstellen, dass die gewählte Position wenigstens das 10-fache Gerätegewicht aufnehmen kann.
- Zur Aufhängung stets geeignetes Befestigungsmaterial verwenden, das das 12-fache Gerätegewicht aushalten kann. Eine zweite Sicherungsaufhängung muss angebracht werden, die ein Absacken des Geräts von mehr als 20 cm verhindert, sollte die Befestigung brechen.
- Gerät gut befestigen. Eine freischwingernde Aufhängung ist gefährlich und sollte auf gar keinen Fall in Betracht gezogen werden!
- Ventilationsöffnungen nicht abdecken, da Überhitzungsgefahr!
- Betreiber muss sicherstellen, dass die sicherheitsrelevanten und technischen Installationen vor Erstbetrieb fachmännisch vorgenommen worden sind.
- Installationen sollten jährlich durch qualifiziertes Fachpersonal inspiziert werden, um jederzeit einen sicheren Betrieb zu gewährleisten.

**IN-TRUSS MOUNTING:** dank vorteilhafter Abmessungen und Design lässt sich der DSP-4 MK2 dauerhaft in ALU-Träger einbauen (siehe Abbildung)! Folgen Sie dazu den nachfolgenden Arbeitsschritten:

- Lösen Sie die 4 Schrauben an beiden 19" Adaptern
- Drehen Sie die Adapter gemäß Abbildung um 90°.
- Drehen Sie die 4 Schrauben wieder fest.
- Setzen Sie den DSP-4 MK2 in den Trägerrahmen und verwenden Sie 2 Haken (zum Beispiel unsere CR50/LI) um ihn zu befestigen.

Der ALU-Träger wird den DSP-4 MK2 beim Transport schützen und Sie gewinnen Platz und Montagezeit! ☺



## ANSCHLÜSSE (NETZEINGANG/-AUSGÄNGE)



Das Gerät ist mit einem Netzstecker entsprechend Spannung und Bestimmungsland ausgestattet. Sollten andere Anschlüsse erforderlich sein, dann müssen diese wie folgt ausgeführt werden:

Erdung = Grün/gelbes Kabel

Nullleiter = Blaues Kabel

Spannung = Braunes Kabel

## **TECHNISCHE EINZELHEITEN**

<b>Netzspannung:</b>	AC 230V 50Hz.
<b>Max. Gesamtstrombelastung:</b>	15 A ( 3450 W )
<b>Strombelastung pro Kanal, Normal-Position:</b>	von 100W bis max. 1800W/res. (8A)
<b>Strombelastung pro Kanal, LED-Position:</b>	von 10W bis max. 500W/res. (2A)
<b>Hauptsicherung:</b>	Sicherungsautomat 15A/250V
<b>Kanalsicherungen:</b>	8A/250V Slow
<b>DMX Eingang/Ausgang:</b>	3-pin XLR Stecker/Buchse
<b>Abmessungen:</b>	480 x 100 x 88 mm
<b>Gewicht:</b>	2,9 kg

**Technische Änderungen können auch ohne Vorankündigung vorgenommen werden!**  
**Sie können sich die neueste Version dieses Benutzerhandbuches von unserer Website herunterladen: [WWW.JB-SYSTEMS.EU](http://WWW.JB-SYSTEMS.EU)**

# MANUAL DE INSTRUCCIONES

Gracias por la compra de este producto JB Systems®. Para sacar todo el rendimiento de las posibilidades de este aparato y por su propia seguridad, por favor lea este manual de instrucciones con mucho cuidado antes de utilizar este producto.

## CARACTERÍSTICAS

Este producto interfiere con señales de radio. Este aparato cumple las exigencias Europeas y nacionales de las normas actuales. Se ha establecido conformidad y las declaraciones y documentos relevantes se han depositado por el fabricante.

- Paquete de atenuador/interruptor multifuncional equipado con 4 tomas principales (Schuko)
- Preparado para su uso con cargas LED de "baja potencia" : trabaja con cargas de hasta 10 W por canal
- Salida máxima: 4 x 1850 W (Máxtot = 3450 W/15 A)
- Gracias al fabuloso diseño de las ménsulas de 19", el DSP-4 MK2 se puede instalar de diversas formas:
  - Montaje en rack de 19" estándar
  - Montaje en la pared en instalaciones fijas
  - Montaje debajo o dentro de armaduras ALU mediante ménsulas
- Entradas/salidas DMX de bloqueo con indicador de presencia de POWER/DMX
- Pantalla LED de 5 dígitos con 4 botones para facilitar la navegación a través de los menús:
  - Ajuste de dirección DMX: cada canal puede tener su propia dirección
  - Cada canal puede activarse por separado en modalidad de regulación de intensidad luminosa (dimmer) o de interruptor
  - Preajustes separados para el regulador de intensidad luminosa con función de memoria para cada canal (no es necesario un controlador)
- Entrada de alimentación de red eléctrica con 15A fusible automático
- Fusibles de 8A de canal individual
- Todos los canales están equipados con triacs de 40A para optimizar la fiabilidad

## ANTES DEL USO

### Verificar el contenido:

Verificar la presencia de las partes siguientes:

- DSP-4.
- Manual de instrucciones

### Instrucciones importantes:

- Antes de utilizar este producto, por favor compruebe que no hay daños causados por el transporte. En caso contrario, no utilice este aparato y consulte a su vendedor.
- **Importante:** Este aparato salió de la empresa en perfecto estado y bien empaquetado. Es absolutamente necesario por parte del usuario de seguir estrictamente las instrucciones de seguridad y las advertencias de este manual. Cualquier daño causado por manejo inadecuado no estará sujeto a la garantía. El vendedor no aceptará responsabilidad por ningún defecto o problemas causados por negligencia de este manual del usuario.
- Mantenga este librito en un lugar seguro para consultas futuras. Si vende este aparato, asegúrese de añadir este manual de usuario.
- Para proteger el medio ambiente, intente por favor de reciclar el embalaje lo mas posible.



## PRECAUCIONES DE USO



**PRECAUCIÓN:** Para reducir el riesgo de electrocución, no quite la cubierta superior. Ninguna pieza usable adentro para el utilizador. Dirijase únicamente a personal cualificado



El símbolo de un rayo en el interior de un triángulo alerta sobre la presencia o el uso de elementos no aislados donde un voltaje peligroso constituye un riesgo grande para causar una eventual electrocución



El punto de exclamación en el interior de un triángulo alerta al usuario sobre la presencia de importantes instrucciones de operación y de mantenimiento tenidas en cuenta en el manual de uso.



Este símbolo significa : uso para el interior solamente



Este símbolo significa : Lea las instrucciones



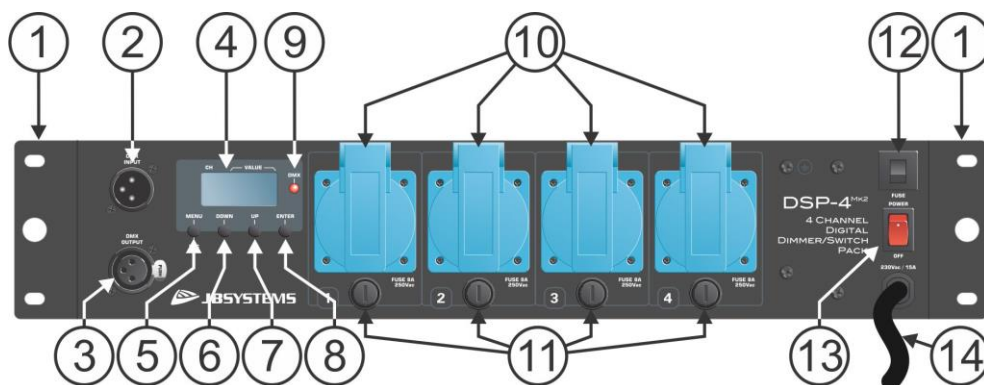
Este símbolo significa: aparato controla una lámpara

- Para evitar riesgos de incendio o electrocución, no exponer el aparato a la lluvia o a la humedad.
- Para evitar que se forme condensación en el interior, permita que el aparato se adapte a las temperaturas circundantes cuando lo lleve a una habitación caliente después de transporte. Condensar algunas veces impide que el aparato funcione a rendimiento pleno o incluso puede causar daños.
- Este aparato es sólo para uso interior.
- No coloque objetos metálicos o derrame líquidos dentro del producto. No colocar objetos llenos de líquidos, como jarrones, encima del aparato. Una descarga eléctrica o mal funcionamiento puede resultar. Si un objeto extraño entrara en el aparato, desconecte inmediatamente la alimentación.
- No colocar fuentes desnudas de llamas, como velas encendidas, sobre el aparato.
- No cubra ninguna apertura de ventilación ya que esto podría causar sobrecalentamiento.
- Evite su uso en ambientes polvorientos y limpie la unidad regularmente.
- Mantenga la unidad alejada de los niños.
- Personas sin experiencia no deberían manejar este aparato.
- La temperatura máxima del aparato es 40°C. No use este producto a temperaturas más elevadas.
- Siempre desenchufe el aparato cuando no lo use por un periodo largo o antes de cambiar la bombilla o de comenzar una reparación.
- La instalación eléctrica se debe realizar solamente por personal cualificado, según las regulaciones para la seguridad eléctrica y mecánica en su país.
- Compruebe que el voltaje disponible no es superior al que aparece en el panel trasero del producto.
- El enchufe tiene que estar siempre accesible para desconectar la alimentación.
- El cable de alimentación debería estar siempre en perfectas condiciones: apague el aparato inmediatamente cuando el cable de alimentación esté roto o dañado. Debe ser substituido por el fabricante, su servicio técnico o otra persona cualificada.
- ¡Nunca deje el cable de alimentación entrar en contacto con otros cables!
- Esta instalación debe ser conectada a tierra para cumplir con las regulaciones de seguridad.
- Para prevenir descargas eléctricas, no abra la tapa. no hay nada que pueda ser reparado por el usuario en el interior el aparato.
- **Nunca** repare un fusible o haga un desvío al fusible. ¡**Siempre** sustituya el fusible dañado por un fusible del mismo tipo y con las mismas especificaciones eléctricas!
- En caso de problemas serios de manejo, deje de usar el aparato y contacte su vendedor inmediatamente.
- Por favor, use el embalaje original cuando el aparato deba ser transportado.
- Debido a motivos de seguridad está prohibido de hacer modificaciones al aparato sin autorización.

## MANTENIMIENTO

Limpiar regularmente el aparato con un trapo ligeramente humedo. Recomendamos que la limpieza interna sea efectuada por profesionales.

## FUNCIONES

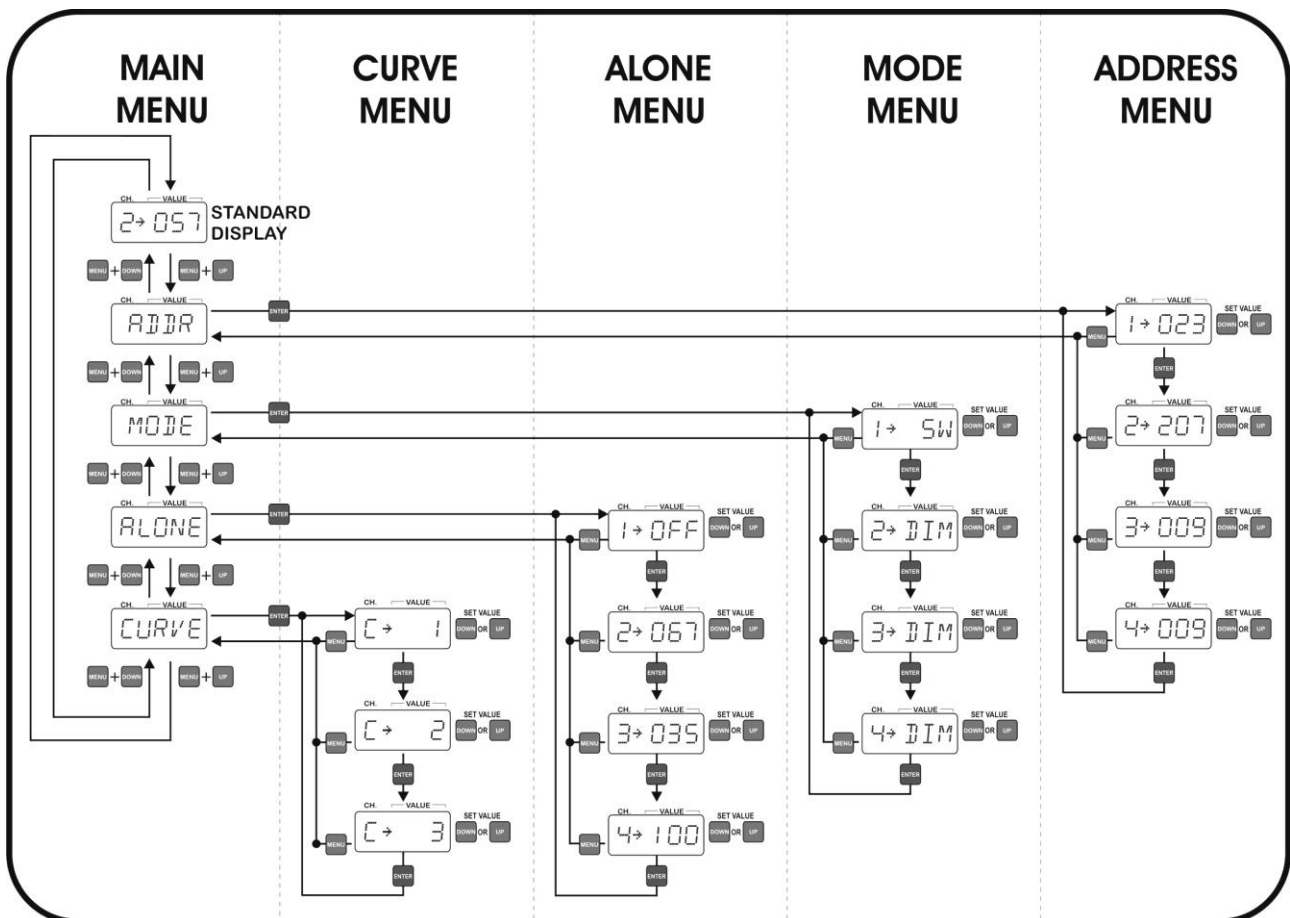


1. **ADAPTADORES MULTIFUNCIÓN 19”**: permiten colocar el DSP-4 MK2 en distintas posiciones. Para más información referirse por favor al capítulo " montaje".
2. **Entrada DMX**: Recibe la señal DMX entrante
3. **Salida DMX**: Transmite la señal DMX entrante a otro aparato DMX.
4. **PANTALLA**: Muestra la versión de software un poco después del encendido de la unidad. Después muestra la información relacionada con la función o modalidad de trabajo seleccionadas. El dígito a la izquierda muestra el número de canal, los 3 otros dígitos muestran el estado de canal:
  - En el menú ADDR: Se muestra la dirección de canal + DMX que va de 001 a 512
  - En el menú MODE: Se muestra la modalidad de trabajo. ("DIM" = modalidad dimmer (regulador de intensidad luminosa) \* "SW" = modalidad switch (interruptor)).
  - En el menú ALONE: Se muestra el estado de la salida de canal.
    - Canal en modalidad dimmer: porcentaje del regulador de intensidad luminosa, que va de 0% a 100%
    - Canal en modalidad switch: "oN" = salida 100% \* "oFF" = salida 0%
  - En el menú CURVE : Indica la curva utilizada en dimerización.
5. **BOTÓN MENU**: Consulte la estructura del menú para conocer los diferentes menús. Estas son las distintas posibilidades:
  - Explorar el menú principal: Pulse el botón MENU junto con los botones UP/DOWN.
  - Volver al menú principal: Para volver al menú principal, pulse el botón MENU. (Función escape)
6. **BOTÓN DOWN**: Consulte la estructura del menú para conocer los diferentes menús. Estas son las distintas posibilidades:
  - Explorar el menú principal: Pulse el botón MENU junto con los botones UP/DOWN.
  - En el menú de dirección: Pulse el botón DOWN para reducir la dirección DMX del canal seleccionado. (Pulse el botón durante más tiempo para aumentar la velocidad).
  - En el menú de modalidad: Pulse el botón DOWN para establecer el canal deseado en modalidad switch o dimmer.
  - En el menú Alone: Pulse el botón DOWN para reducir el valor del regulador de intensidad luminosa (0~100%) cuando el canal seleccionado esté en modalidad dimmer. (Pulse el botón durante más tiempo para aumentar la velocidad). Cuando establezca el canal deseado en modalidad switch, puede desactivar o activar la emisión.
7. **BOTÓN UP**: Consulte la estructura del menú para conocer los diferentes menús. Estas son las distintas posibilidades:
  - Explorar el menú principal: Pulse el botón MENU junto con los botones UP/DOWN.
  - En el menú de dirección: Pulse el botón UP para aumentar la dirección DMX del canal seleccionado. (Pulse el botón durante más tiempo para aumentar la velocidad).
  - En el menú de modalidad: Pulse el botón UP para establecer el canal deseado en modalidad dimmer o switch.
  - En el menú Alone: Pulse el botón UP para aumentar el valor del regulador de intensidad luminosa (0~100%) cuando el canal seleccionado esté en modalidad dimmer. (Pulse el botón durante más tiempo para aumentar la velocidad). Cuando establezca el canal deseado en modalidad switch, puede activar o desactivar la emisión.
8. **BOTÓN ENTER**: Consulte la estructura del menú para conocer los diferentes menús. Estas son las distintas posibilidades:
  - En el menú principal: Pulse el botón ENTER para seleccionar el submenú que desee.

- En un submenú: Pulse el botón ENTER para explorar a través de los 4 canales.
- LED DE DMX PRESENTE:** Este LED indica si la unidad recibe señal DMX en la entrada DMX (nº2):
    - **LED encendido:** No se detecta señal DMX en la entrada.
    - **LED parpadeando:** Se detecta señal DMX en la entrada.
  - SALIDA DE POTENCIA:** Se utiliza para conectar cuatro aparatos diferentes, como efectos luminosos.
  - FUSIBLES DE CANAL:** Protegen los canales individuales. Reemplace siempre un fusible roto por uno del mismo amperaje.
  - FUSIBLE DE ENTRADA:** Se trata de un disyuntor automático. Cuando se funda el fusible, localice y solucione primero el problema que ha provocado que se funda el fusible. Cuando haya solucionado el problema, pulse simplemente el botón para restaurar el disyuntor.
  - INTERRUPTOR DE ALIMENTACIÓN:** ENCIENDE / APAGA la unidad.
  - CABLE DE ALIMENTACIÓN:** Suministra electricidad al aparato.
  - LOAD SWITCH:** con estos interruptores se pueden seleccionar para cada uno de los 4 canales si ese canal controlará cargas muy pequeñas (como las lámparas LED o efectos de luz LED) o cargas normales:
    - **LED-position:** usar esta posición para controlar cargas pequeñas, entre 10W y 500W.
    - **RESISTIVE / INDUCTIVE LOAD-position:** usar esta posición para controlar cargas más grandes, al menos 100W.



## ESTRUCTURA DE MENÚ...



**MENÚ PRINCIPAL:**

Este menú se utiliza para seleccionar uno de los 4 submenús.

- Pulse el botón MENU junto con los botones UP/DOWN para explorar el menú.
- Pulse el botón ENTER para seleccionar el submenú que desee.

**SUBMENÚ DE DIRECCIÓN:**

Este menú se utiliza para establecer la dirección DMX de los 4 canales de salida. Cada canal puede establecerse en una dirección DMX única. Puede incluso proporcionar 2 o más canales a la misma dirección DMX.

- Pulse el botón ENTER para explorar a través del menú.
- Una vez que haya seleccionado el canal deseado, pulse los botones UP/DOWN para establecer una dirección.
- Para volver al menú principal, pulse el botón MENU.

**SUBMENÚ DE MODALIDAD :**

Este menú se utiliza para establecer la modalidad de trabajo de los 4 canales de salida.

- **Modalidad DIM:** Utilice esta modalidad cuando conecte lámparas (proyectores) en este canal de salida. Podrá regular suavemente la intensidad luminosa entre 0% y 100%.
- **Modalidad SWITCH:** Utilice esta modalidad cuando conecte pequeños efectos luminosos en este canal de salida. Puede cambiar la salida entre ON (100% salida) y OFF (0% salida). Ahora puede activar o desactivar pequeños efectos luminosos con su controlador DMX.
  - Pulse el botón ENTER para explorar a través del menú.
  - Una vez que haya seleccionado el canal deseado, pulse los botones UP/DOWN para establecer una modalidad de trabajo.
  - Para volver al menú principal, pulse el botón MENU.

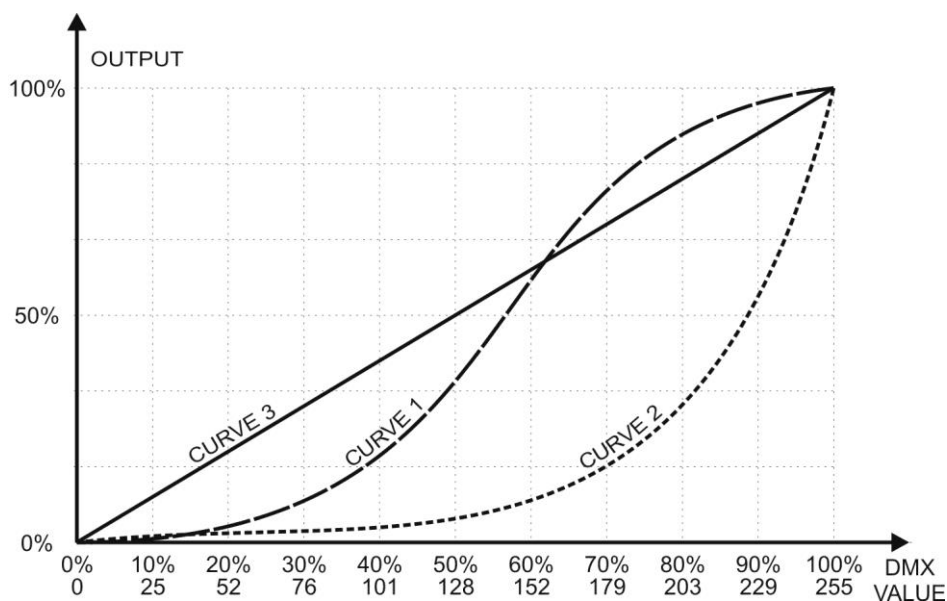
**SUBMENÚ ALONE:**

Esta es la modalidad independiente, todos los niveles de salida pueden establecerse directamente en el panel de control por lo que no es necesario un controlador. Es importante saber que los ajustes de salida se conservan cuando la unidad se desconecta de la red eléctrica. Esto hace que la unidad DB-46 sea muy útil para iluminar puestos de exhibición.

- Pulse el botón ENTER para explorar a través del menú.
- Una vez que haya seleccionado el canal deseado, pulse los botones UP/DOWN para establecer un nivel de salida.
- Para volver al menú principal, pulse el botón MENU.

**SUBMENÚ CURVE:**

Este menú se utiliza para escoger una de las 3 curvas preprogramadas del dimerizador. Por favor compruebe el diagrama con las curvas para escoger la deseada.



## MONTAJE

**Importante:** La instalación sólo debe llevarse a cabo por personal técnico cualificado. Una instalación incorrecta puede provocar lesiones graves y/o daños en la propiedad.

Gracias a los adaptadores multifuncionales, el DSP-4 MK2 puede ser instalado de 3 modos diferentes:

### MONTAJE EN RACK 19”:

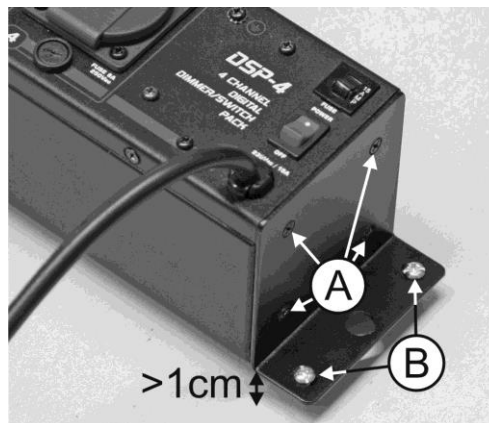
El camino más común: instalar la unidad fácilmente en un rack estándar de 19" con solamente 4 tornillos.

### MONTAJE EN PARED:

Usted puede montar el DSP-4 MK2 fácilmente contra una pared como explicado aquí:

- Quitar los 4 tornillos (indicados "A" en la foto) de ambos adaptadores 19 pulgadas.
- Girar los adaptadores de 180° como indicado en la foto.
- Sujetar los 4 tornillos otra vez
- Sujetar la unidad contra la pared con tornillos convenientes (agujeros "B" en la foto).

**IMPORTANTE:** ¡ya que los orificios de ventilación están contra la pared TENDRA que dejar un espacio mínimo de 1 cm entre la unidad y la pared!



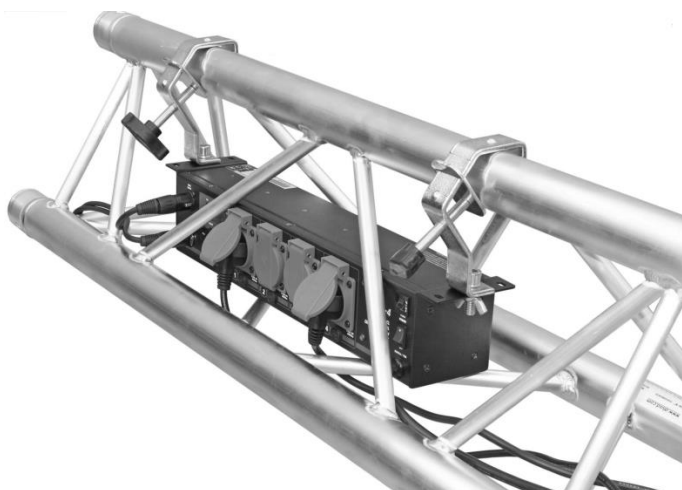
### MONTAJE SUPERIOR Y EN ESTRUCTURAS

- **Importante:** ¡El montaje superior requiere mucha experiencia! Deben respetarse los límites de carga de funcionamiento, deben utilizarse materiales de instalación homologados, el dispositivo instalado debe inspeccionarse regularmente por su seguridad.
- Asegúrese de que debajo del área del lugar de instalación no hay personas durante el montaje, desmontaje o mantenimiento.
- Coloque el aparato en un lugar bien ventilado, lejos de materiales y/o líquidos inflamables. El aparato debe colocarse a al menos 1 cm de las paredes.
- El dispositivo debe instalarse lejos del alcance de las personas y de las áreas exteriores donde éstas puedan andar o sentarse.
- Antes del montaje asegúrese de que el área de la instalación puede soportar una carga mínima de 10 veces el peso de la unidad.
- Utilice siempre un cable de seguridad homologado que pueda soportar 12 veces el peso del dispositivo cuando instale la unidad. Este accesorio de seguridad secundario debe instalarse de forma que ninguna pieza de la instalación pueda caerse más 20 cm si falla el accesorio principal.
- El dispositivo debe fijarse correctamente; ¡un montaje con giro libre es peligroso y no debe considerarse!
- El operario debe asegurarse de que las instalaciones relacionadas con la seguridad son aprobadas por un experto antes de utilizarlas por primera vez. Las instalaciones deberán inspeccionarse anualmente por una persona cualificada para asegurar que la seguridad es óptima.

**MONTAJE EN ESTRUCTURAS:** ¡ gracias al tamaño y la forma del DSP-4 MK2 usted puede instalarlo dentro de entramados de ALU (ver foto)) y dejalo dentro! Para hacer esto, siga los pasos siguientes:

- Quitar los 4 tornillos sobre ambos adaptadores
- Girar los adaptadores de 90° como indicado en la imagen.
- Sujetar otra vez los 4 tornillos
- Colocar el DSP-4 MK2 dentro del entramado y emplear 2 garras (por ejemplo nuestro CR50/LI) para sujetarlo.

¡Durante el transporte la estructura ALU protegerá el DSP-4 MK2 y usted ganará mucho espacio y tiempo de preparación! ☺



## CONEXIONES (ENTRADAS/SALIDAS DE RED)



La unidad incorpora un enchufe de alimentación apropiado para su voltaje y destino. En el caso de que fueran necesarias otras conexiones, deberán llevarse a cabo con la siguiente configuración.

Tierra = Cable verde/amarillo  
 Neutral = Cable azul  
 Con corriente = Cable marrón

## ESPECIFICACIONES

Entrada de alimentación:	CA 230V 50Hz.
Carga máxima total:	15 A ( 3450 W )
Carga por canal, posición normal:	de 100W a máx. 1800 W / res. (8A)
Carga por canal, posición LED:	de 10W a máx. 500 W / res. (2A)
Fusible principal:	Automático termal 15A/250V
Fusibles de canal:	8A/250V lentos
Entradas/salidas DMX:	3 clavijas XLR
Tamaño:	480 x 100 x 88 mm
Peso:	2,9 kg

Toda la información está sujeta a cambios sin previo aviso

Puede descargar la última versión de este manual desde nuestro sitio web: [WWW.JB-SYSTEMS.EU](http://WWW.JB-SYSTEMS.EU)





**JB SYSTEMS**

## **MAILING LIST**

**EN: Subscribe today to our mailing list for the latest product news!**

**FR: Inscrivez-vous à notre liste de distribution si vous souhaitez suivre l'actualité de nos produits!**

**NL: Abonneer je vandaag nog op onze mailinglijst en ontvang ons laatste product nieuws!**

**DE: Abonnieren Sie unseren Newsletter und erhalten Sie aktuelle Produktinformationen!**

**ES: Suscribete hoy a nuestra lista de correo para recibir las últimas noticias!**

**[WWW.JB-SYSTEMS.EU](http://WWW.JB-SYSTEMS.EU)**

**Copyright © 2016 by BEGLEC NV**

t Hofveld 2C ~ B1702 Groot-Bijgaarden ~ Belgium

Reproduction or publication of the content in any manner, without express permission of the publisher, is prohibited.